



US Micro Products
Electronic Products for the OEM

OPEN FRAME MONITOR PRODUCT SPECIFICATION

PART NUMBER:	USMP-OFIW192WU01
DESCRIPTION:	19.2" (16:3) bar type Open Frame Monitor, with 1920 x 360 Resolution and 8 bit color

ISSUE DATE	APPROVED BY (Customer Use Only)	CHECKED BY	PREPARED BY
PROPRIETARY NOTE:	THIS SPECIFICATION IS THE PROPERTY OF US MICRO PRODUCTS AND SHALL NOT BE REPRODUCED OR COPIED WITHOUT THE WRITTEN PERMISSION OF US MICRO PRODUCTS AND MUST BE RETURNED TO US MICRO PRODUCTS UPON ITS REQUEST.		



Bar-Type Open Frame LCD

19.2" Wide (16:3)

Specifications



Model Name	USMP-OFIW192WU01
Viewable Size	19.2" Wide (16:3)
Active Display Area (mm)	478.08(H)x89.64(V)
Pixel Pitch (mm)	0.249x0.249
Number of Pixels	1920x360
Contrast Ratio	700:1 (typ.)
Number of Colors	16.7M (8bit/color)
Brightness (cd/m ²)	500 (typ.)
Viewing Angle (CR>=10)	-80~80(H); -60~80(V)
Lamp Life (hrs)	50000
Synchronization Range Horizontal/Vertical	31.5~60.0KHz/60~75Hz
Recommended Resolution	1920x360 @ 60Hz
Signal Connector	15 pin D-Sub
Power Source	AC100~240V, Universal, ±10%
Power Consumption	25W typical, normal operation
Power Management	VESA DPMS Compliant
Plug & Play	VESA DDC 1/2B
Operating Temperature	0°C~50°C
Storage Temperature	-20°C~60°C
Humidity	5~95%
Optional Video Input	No
DVI Input	Yes
Optional Touch Screen	No

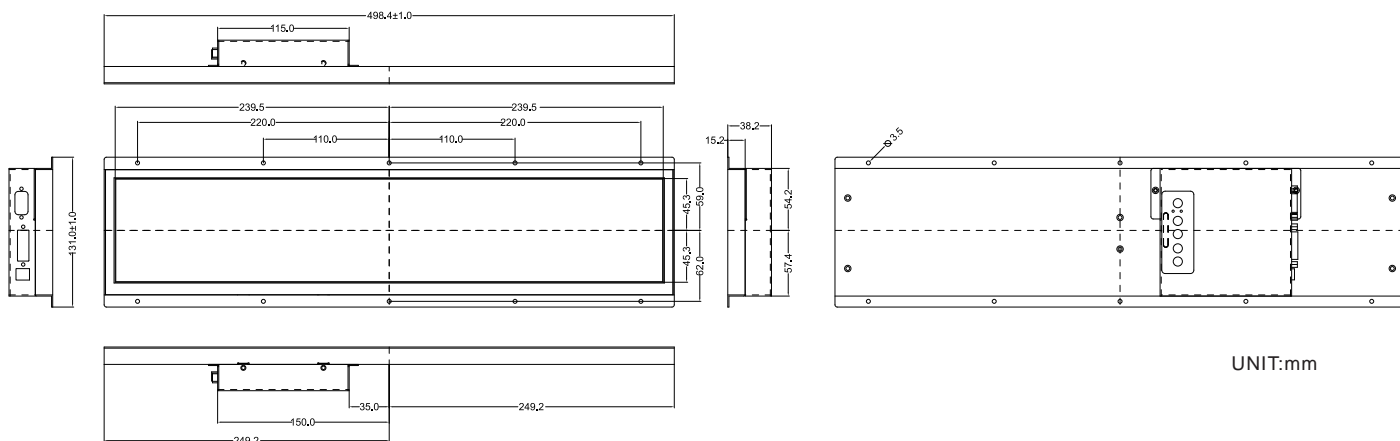
Remarks: W19L300 series= VGA / DVI input



Accessories

VGA cable	D-sub 15 pin male to male	✓
DVI cable	24 pin male to male	✓
User Manual	User guide	✓
User adapter	12V power adapter	✓

Mechanical Drawing: W19L100-OF M2



* Note: this is a simplified drawing and some components are not marked in detail. Please contact our sales representative if you need further product information.

Rev.	Reasons	Revised Date
1.0	First release	May-16-11
1.1	Drawing change	May-17-11



Displays

US Micro Products is an industrial distributor specializing in engineered display solutions. We dedicate ourselves to providing the best in displays for the medical, industrial, gaming, automotive, aerospace, military and consumer markets.

OLEDs



TFT Display



Open Frame Monitors



Passive LCDs



Multitouch



Touch Screen



As our customer, you receive expert knowledge, support and service. Our technical sales staff and experienced design engineers provide answers to your questions and engineered solutions to meet your display needs.

Peripheral Devices

Our full line of peripheral devices includes keyboards, trackballs and printers. These rugged industrial products are designed to meet the rigorous demands of your equipment and are available in a variety of standard and custom options.

Keyboards



Trackballs



Aerospace Trackballs



Printers

