



US Micro Products
Electronic Products for the OEM

OPEN FRAME MONITOR PRODUCT SPECIFICATION

PART NUMBER:	USMP-OFIN640V01
DESCRIPTION:	6.4" Open Frame Monitor, 640 x 480 Resolution, 6 bit, 262K Colors

ISSUE DATE	APPROVED BY (Customer Use Only)	CHECKED BY	PREPARED BY
PROPRIETARY NOTE:	THIS SPECIFICATION IS THE PROPERTY OF US MICRO PRODUCTS AND SHALL NOT BE REPRODUCED OR COPIED WITHOUT THE WRITTEN PERMISSION OF US MICRO PRODUCTS AND MUST BE RETURNED TO US MICRO PRODUCTS UPON ITS REQUEST.		



US Micro Products
Electronic Products for the OEM

USMP-OFIN064V01 is an analog RGB interface Open Frame Monitor for a 6.4" VGA TFT LCD panel that provides a high quality screen image.

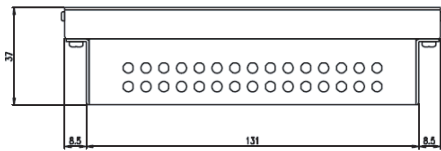
This monitor supports VGA resolution at 75Hz refresh rate with the ability to expand to a full screen image. It is a very convenient monitor & can be installed in a variety of applications including gaming, amusement & other markets. This monitor accesses the GUI (Graphic User Interface).



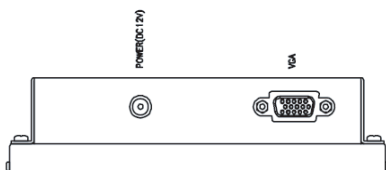
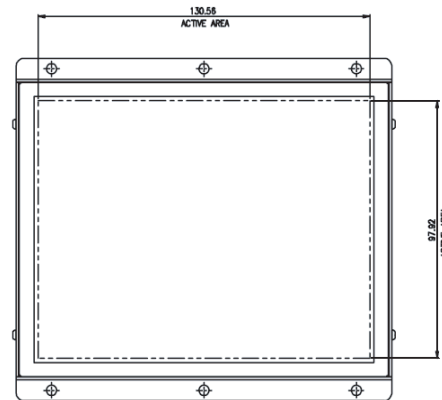
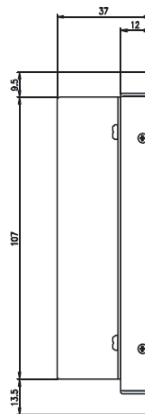
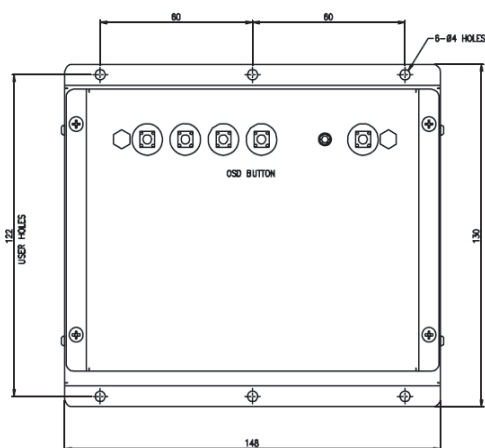
USMP-OFIN064V01

SPECIFICATION

Model Name	USMP-OFIN064V01
Panel Size	6.4"
Active Size	130.58 mm (H) x 97.92 mm (V)
Pixel Pitch	0.068 mm (H) x 0.204 mm (V)
Display Colors	6 bit, 262,144 colors
Brightness	250 cd m ²
Contrast Ratio	400 to 1
Viewing Angle	65° / 65° (L/R) & 50° / 60° (U/D)
Response Time	10 ms
Signal Type	RGB Analog (15 pin D-sub), DVI-D
Resolution	640 x 480
H-Frequency	40 ~ 60 khz
V-Frequency	59 ~ 61 hz
Power Source	DC12V
OSD Control	Auto, Contrast, Brightness, Adjustment H/V Position, Color Language
Operating Temperature	0C° - 50° C
Weight	300g
Options	Touch screen, Wall mount, etc.



Mechanical Outline Dimension





Displays

US Micro Products is an industrial distributor specializing in engineered display solutions. We dedicate ourselves to providing the best in displays for the medical, industrial, gaming, automotive, aerospace, military and consumer markets.

OLEDs



TFT Display



Open Frame Monitors



Passive LCDs



Multitouch



Touch Screen



As our customer, you receive expert knowledge, support and service. Our technical sales staff and experienced design engineers provide answers to your questions and engineered solutions to meet your display needs.

Peripheral Devices

Our full line of peripheral devices includes keyboards, trackballs and printers. These rugged industrial products are designed to meet the rigorous demands of your equipment and are available in a variety of standard and custom options.

Keyboards



Trackballs



Aerospace Trackballs



Printers

