



US Micro Products
Electronic Products for the OEM

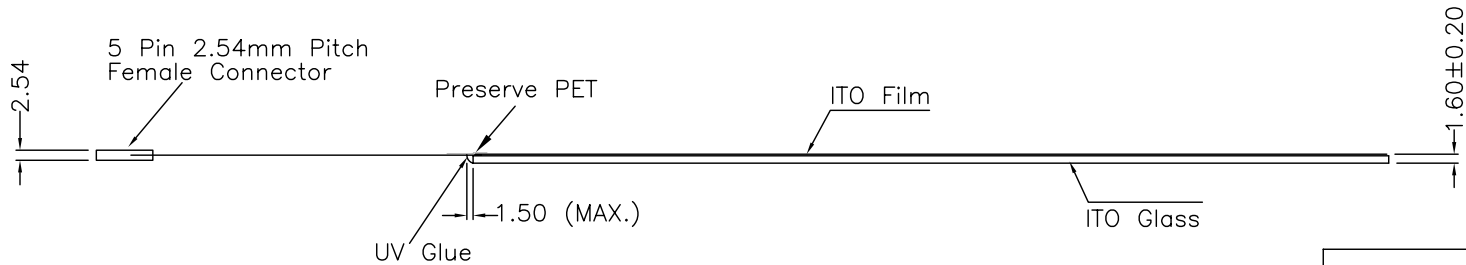
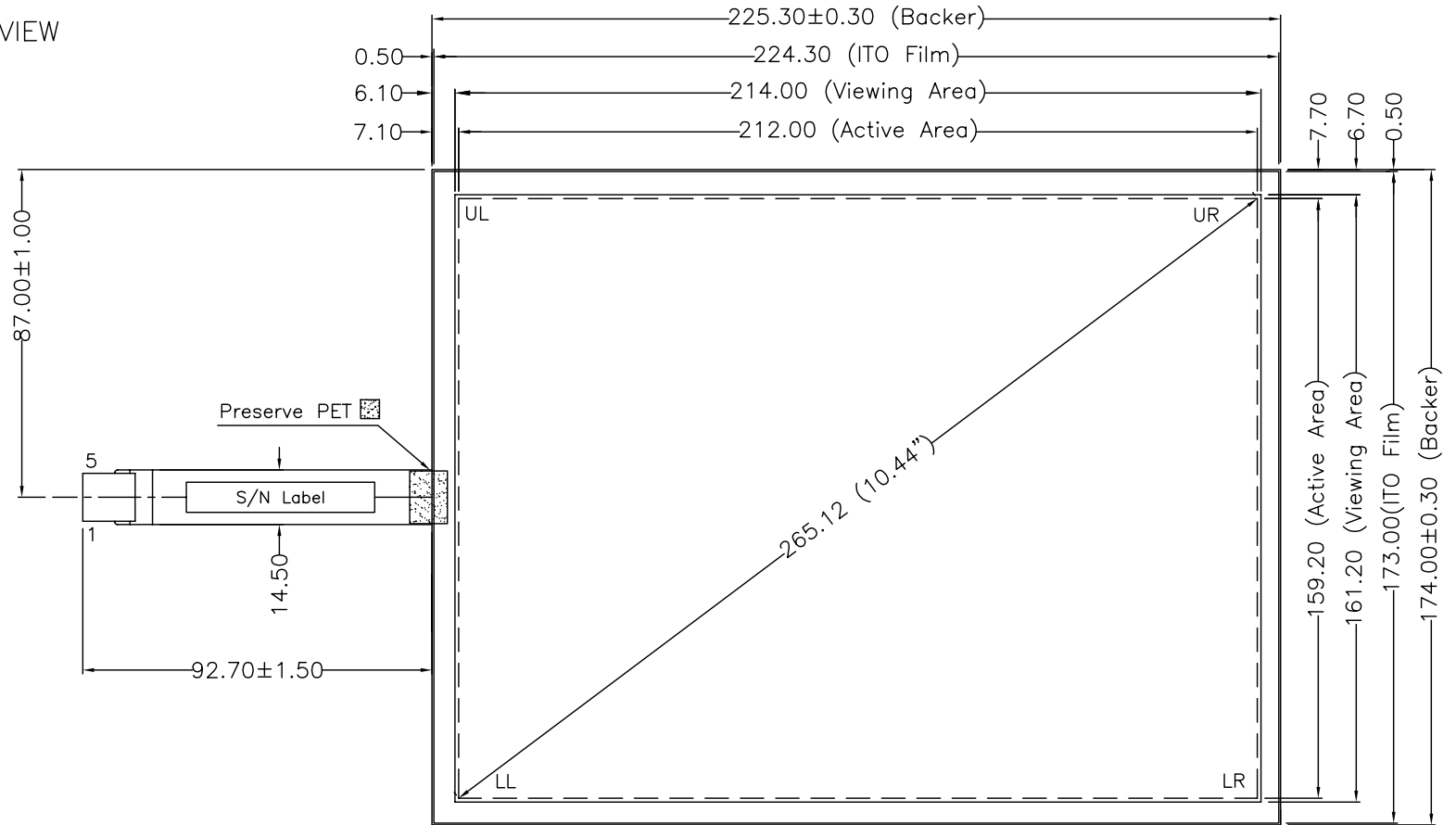
TOUCH PRODUCT SPECIFICATION

PART NUMBER:	USMP-MR51044
DESCRIPTION:	10.44" 5 wire resistive touch panel

ISSUE DATE	APPROVED BY (Customer Use Only)	CHECKED BY	PREPARED BY
PROPRIETARY NOTE:	THIS SPECIFICATION IS THE PROPERTY OF US MICRO PRODUCTS AND SHALL NOT BE REPRODUCED OR COPIED WITHOUT THE WRITTEN PERMISSION OF US MICRO PRODUCTS AND MUST BE RETURNED TO US MICRO PRODUCTS UPON ITS REQUEST.		

FRONT VIEW

Pin#	Assignment
1	LL
2	UL
3	S
4	LR
5	UR



NOTES:

1. ITO GLASS THICKNESS : 1.10mm
2. OVERALL THICKNESS : 1.60±0.20mm
3. CONNECTOR AND PINOUT AS INDICATED
4. FRONT SURFACE : ANTI-GLARE HARDCOAT
5. LAYER TO LAYER ASSEMBLY TOLERANCE: ±0.50mm
6. TAIL TYPE : IMMERSION GOLD PLATED FPC WITH AMP-C CONNECTOR
7. OTHER SPEC : SEE APPROVAL SHEET



NO.	DATE	DESCRIPTION	CHK
REVISION			
CHEF OF DESIGN		APPROVED	Alex
ENGINEER		PROJECT MANAGER	
DRAWN BY	Jerry	DATE	MAR 31 , 2009
SHT	1	OF	1
		REV.	

US Micro Products Electronic Products for the OEM	
TOLERANCES UNLESS SPECIFIED	
.X	± 0.50
.XX	± 0.50
.XXX	± 0.30
ANGULAR	.
MODEL NAME :	USMP-MR51044
DWG NO :	
SCALE:	1:1 UNIT: mm



Displays

US Micro Products is an industrial distributor specializing in engineered display solutions. We dedicate ourselves to providing the best in displays for the medical, industrial, gaming, automotive, aerospace, military and consumer markets.

OLEDs



TFT Display



Open Frame Monitors



Passive LCDs



Multitouch



Touch Screen



As our customer, you receive expert knowledge, support and service. Our technical sales staff and experienced design engineers provide answers to your questions and engineered solutions to meet your display needs.

Peripheral Devices

Our full line of peripheral devices includes keyboards, trackballs and printers. These rugged industrial products are designed to meet the rigorous demands of your equipment and are available in a variety of standard and custom options.

Keyboards



Trackballs



Aerospace Trackballs



Printers

