



US Micro Products
Electronic Products for the OEM

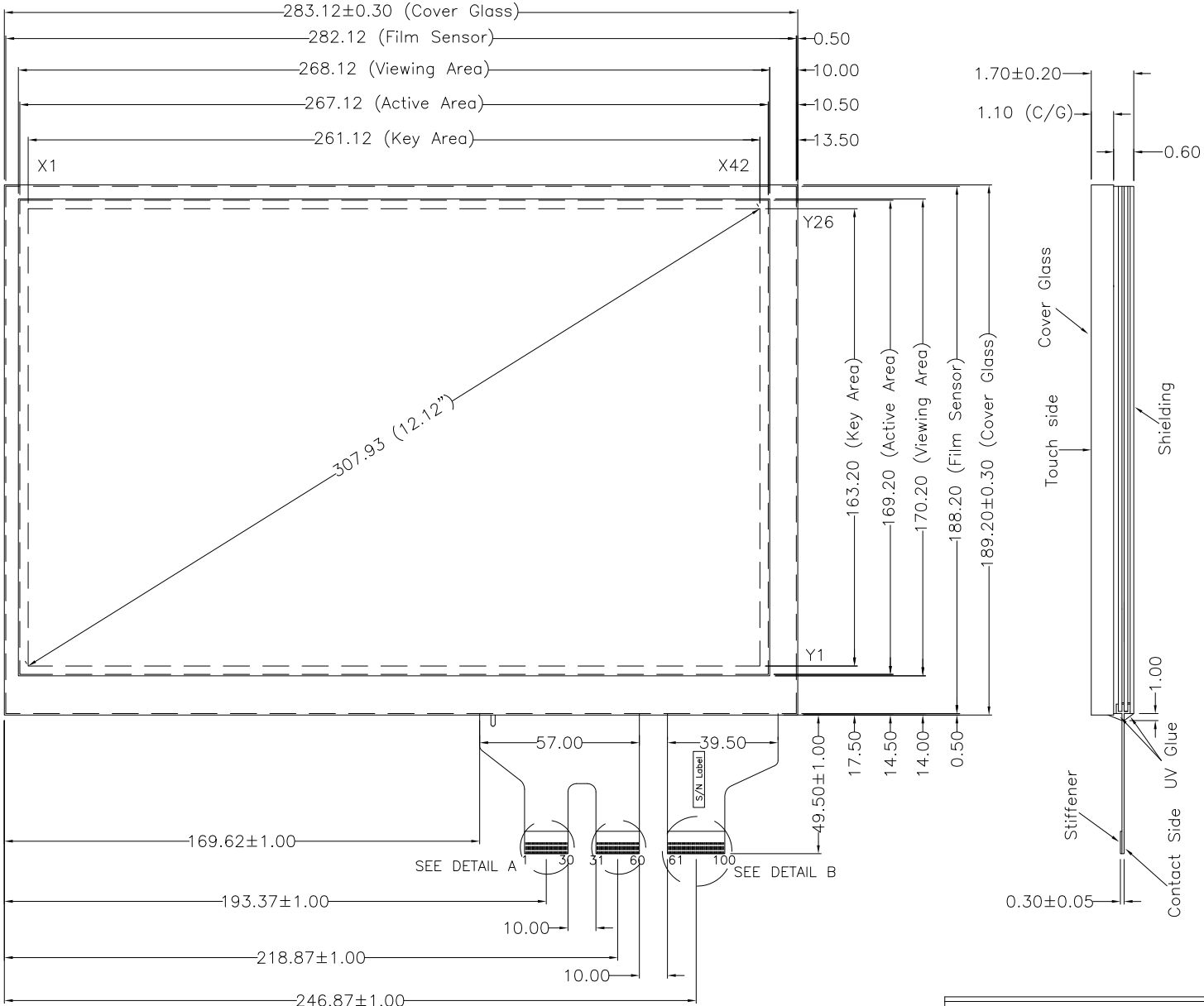
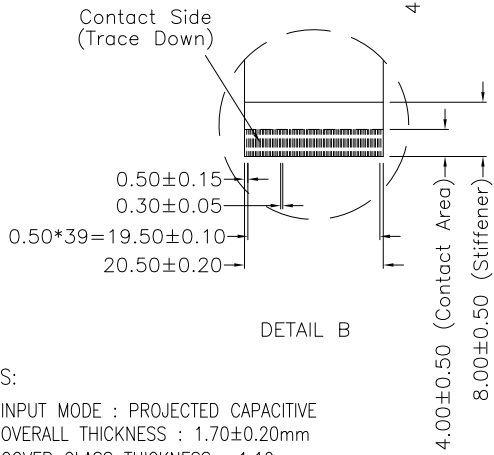
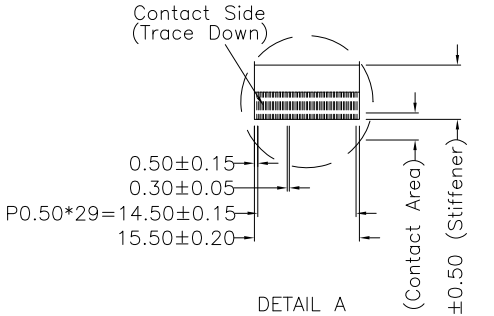
TOUCH PRODUCT SPECIFICATION

| | |
|---------------------|---|
| PART NUMBER: | USMP-MPC121 |
| DESCRIPTION: | 12.1" projected capacitive touch panel with FPC tail |

| ISSUE DATE | APPROVED BY (Customer Use Only) | CHECKED BY | PREPARED BY |
|--------------------------|--|-------------------|--------------------|
| | | | |
| PROPRIETARY NOTE: | THIS SPECIFICATION IS THE PROPERTY OF US MICRO PRODUCTS AND SHALL NOT BE REPRODUCED OR COPIED WITHOUT THE WRITTEN PERMISSION OF US MICRO PRODUCTS AND MUST BE RETURNED TO US MICRO PRODUCTS UPON ITS REQUEST. | | |

Touch Side View

| CONNECTOR PINOUT | |
|------------------|----------------|
| PIN# | DESIGNATION |
| 1 | Shielding |
| 2-3 | Grounding Line |
| 4-5 | Blank |
| 6-28 | X1-X23 |
| 29-33 | Blank |
| 34-52 | X24-X42 |
| 53-59 | Blank |
| 60-61 | Grounding Line |
| 62 | Blank |
| 63-88 | Y1-Y26 |
| 89-99 | Blank |
| 100 | Grounding Line |



- NOTES:
- INPUT MODE : PROJECTED CAPACITIVE
 - OVERALL THICKNESS : 1.70±0.20mm
 - COVER GLASS THICKNESS : 1.10mm
 - FRONT SURFACE : CLEAR TYPE
 - TAIL TYPE : GOLD PLATED FPC , ZIF
 - RECOMMENDED CONTROL BOARDS : PENMOUNT PM1400 SERIES
 - OTHER SPEC : SEE APPROVAL SHEET



| NO. | DATE | DESCRIPTION | CHK |
|-----------------|-------|-----------------|--------------|
| REVISION | | | |
| CHIEF OF DESIGN | | APPROVED | Jerry |
| ENGINEER | | PROJECT MANAGER | |
| DRAWN BY | Andre | DATE | AUG 9 , 2011 |
| SHT | 1 | OF | 1 |
| REV. | | | 0 |

US. Micro Products
Electronic Products for the OEM

| | |
|-----------------------------|---------------------|
| TOLERANCES UNLESS SPECIFIED | MODEL NAME : |
| .X ± 0.50 | USMP-MPC121 |
| .XX ± 0.50 | DWG NO : |
| .XXX ± 0.30 | |
| ANGULAR | SCALE: N/S UNIT: mm |



Displays

US Micro Products is an industrial distributor specializing in engineered display solutions. We dedicate ourselves to providing the best in displays for the medical, industrial, gaming, automotive, aerospace, military and consumer markets.

OLEDs



TFT Display



Open Frame Monitors



Passive LCDs



Multitouch



Touch Screen



As our customer, you receive expert knowledge, support and service. Our technical sales staff and experienced design engineers provide answers to your questions and engineered solutions to meet your display needs.

Peripheral Devices

Our full line of peripheral devices includes keyboards, trackballs and printers. These rugged industrial products are designed to meet the rigorous demands of your equipment and are available in a variety of standard and custom options.

Keyboards



Trackballs



Aerospace Trackballs



Printers

