



US Micro Products
Electronic Products for the OEM

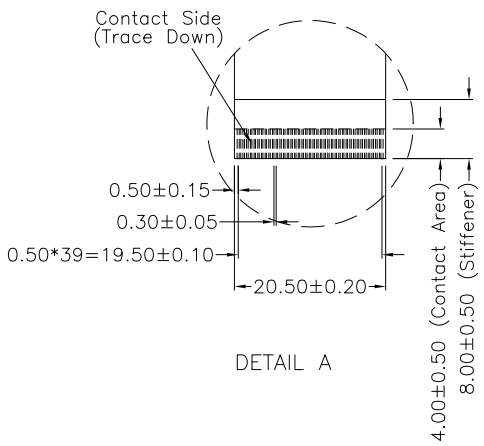
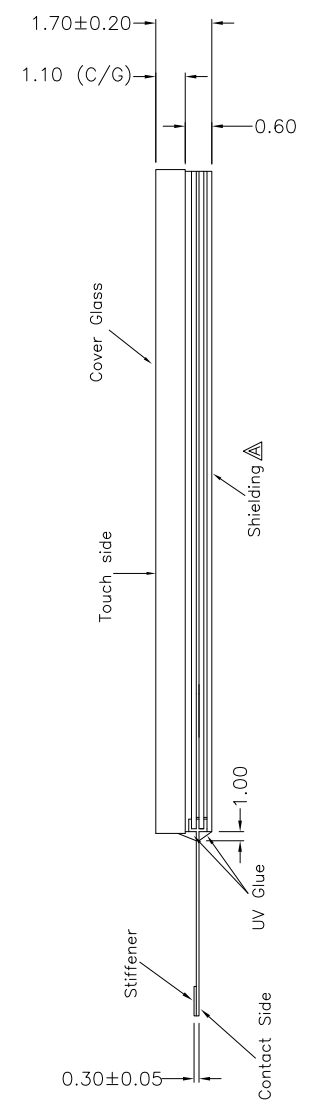
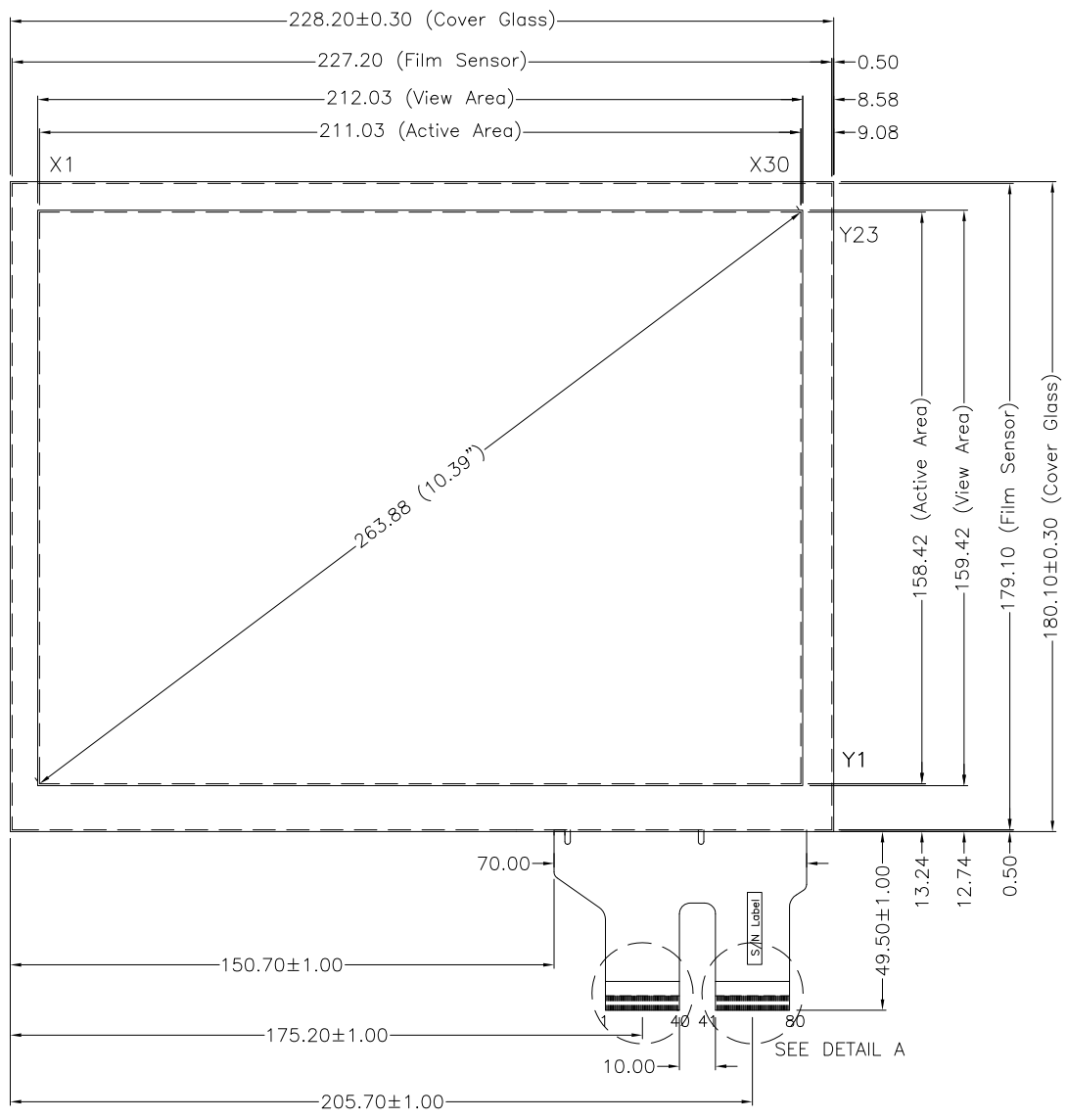
TOUCH PRODUCT SPECIFICATION

PART NUMBER:	USMP-MPC104-1
DESCRIPTION:	10.4" projected capacitive touch panel with FPC tail

ISSUE DATE	APPROVED BY (Customer Use Only)	CHECKED BY	PREPARED BY
PROPRIETARY NOTE:	THIS SPECIFICATION IS THE PROPERTY OF US MICRO PRODUCTS AND SHALL NOT BE REPRODUCED OR COPIED WITHOUT THE WRITTEN PERMISSION OF US MICRO PRODUCTS AND MUST BE RETURNED TO US MICRO PRODUCTS UPON ITS REQUEST.		

Touch Side View

CONNECTOR PINOUT	
PIN#	DESIGNATION
1	Shielding
2-3	Blank
4	Grounding Line
5	Blank
6	Grounding Line
7	Blank
8-37	X1-X30
38-39	Blank
40	Grounding Line
41-51	Blank
52	Grounding Line
53	Blank
54-76	Y1-Y23
77-79	Blank
80	Grounding Line



NOTES:

1. INPUT MODE : PROJECTED CAPACITIVE
2. OVERALL THICKNESS : 1.70±0.20mm
3. COVER GLASS THICKNESS : 1.10mm
4. FRONT SURFACE : CLEAR TYPE
5. TAIL TYPE : GOLD PLATED FPC , ZIF
6. RECOMMENDED CONTROL BOARDS : PENMOUNT PM1300 SERIES
7. OTHER SPEC : SEE APPROVAL SHEET



A	SEP 22 , 2011	REMOVED Y AXIS ITO GROUNDING LINE AND EMI SHIELD FILM MODIFY	JERRY
NO.	DATE	DESCRIPTION	CHK
REVISION			
CHIEF OF DESIGN		APPROVED	Jerry
ENGINEER		PROJECT MANAGER	
DRAWN BY	Andre	DATE	NOV 11, 2011
SHT	1	OF	1
REV.		REV.	A

US Micro Products
 Electronic Products for the OEM

TOLERANCES UNLESS SPECIFIED		MODEL NAME : USMP-MPC104-1
.X	± 0.50	
.XX	± 0.50	
.XXX	± 0.30	DWG NO :
ANGULAR	.	SCALE: N/S UNIT: mm



Displays

US Micro Products is an industrial distributor specializing in engineered display solutions. We dedicate ourselves to providing the best in displays for the medical, industrial, gaming, automotive, aerospace, military and consumer markets.

OLEDs



TFT Display



Open Frame Monitors



Passive LCDs



Multitouch



Touch Screen



As our customer, you receive expert knowledge, support and service. Our technical sales staff and experienced design engineers provide answers to your questions and engineered solutions to meet your display needs.

Peripheral Devices

Our full line of peripheral devices includes keyboards, trackballs and printers. These rugged industrial products are designed to meet the rigorous demands of your equipment and are available in a variety of standard and custom options.

Keyboards



Trackballs



Aerospace Trackballs



Printers

