



**US Micro Products**  
*Electronic Products for the OEM*

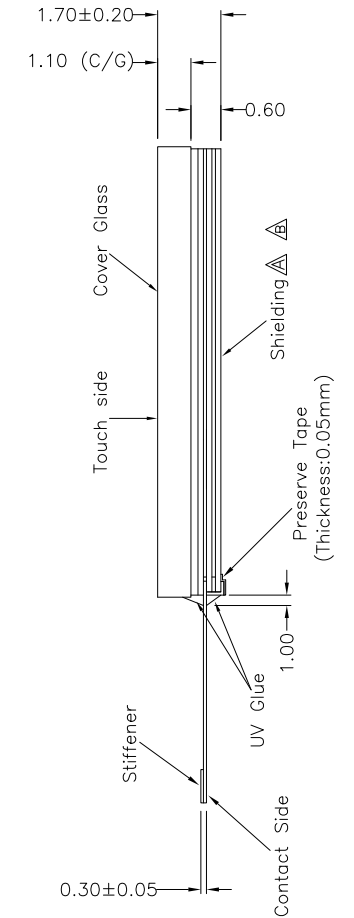
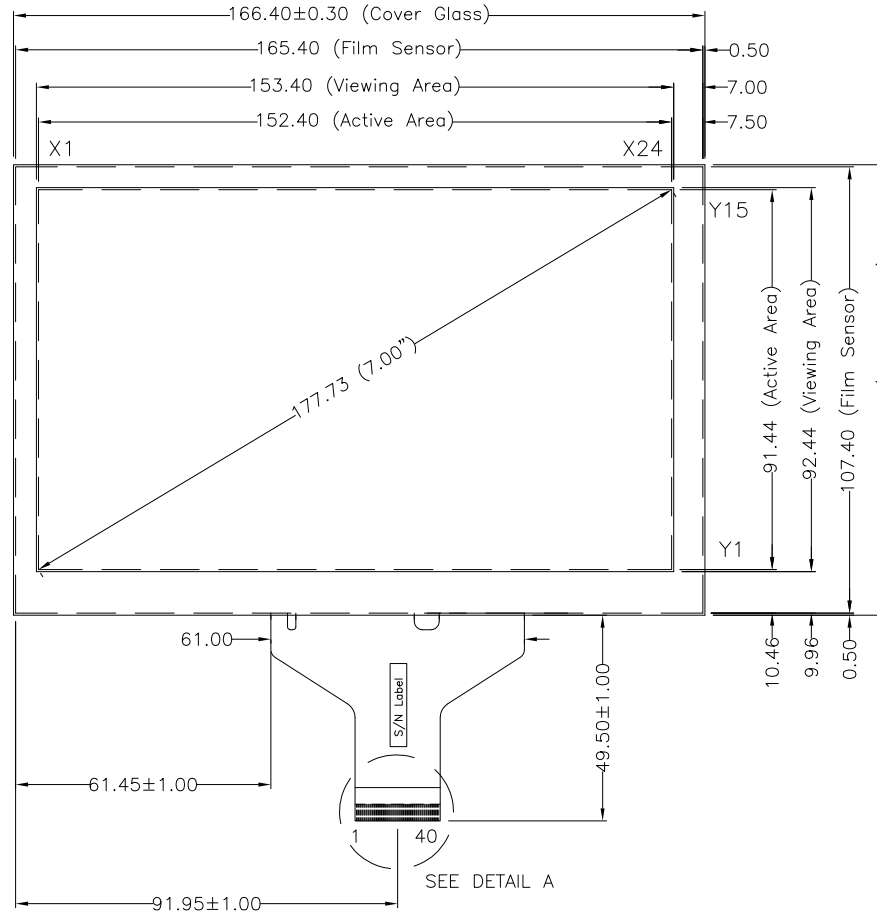
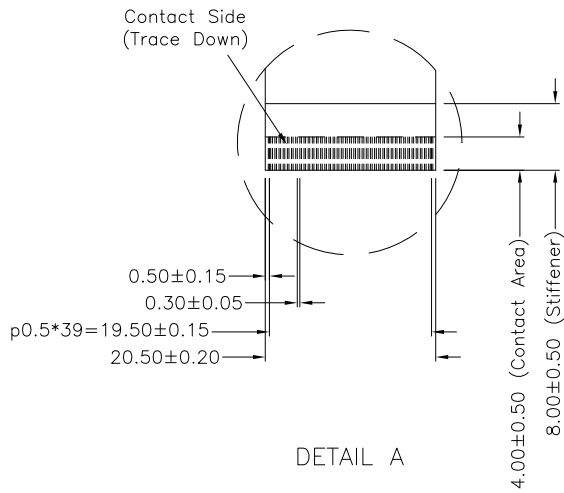
# TOUCH PRODUCT SPECIFICATION

<b>PART NUMBER:</b>	<b>USMP-MPC070-2</b>
<b>DESCRIPTION:</b>	<b>7.0" projected capacitive touch panel with FPC tail</b>

<b>ISSUE DATE</b>	<b>APPROVED BY</b> (Customer Use Only)	<b>CHECKED BY</b>	<b>PREPARED BY</b>
<b>PROPRIETARY NOTE:</b>	<b>THIS SPECIFICATION IS THE PROPERTY OF US MICRO PRODUCTS AND SHALL NOT BE REPRODUCED OR COPIED WITHOUT THE WRITTEN PERMISSION OF US MICRO PRODUCTS AND MUST BE RETURNED TO US MICRO PRODUCTS UPON ITS REQUEST.</b>		

### Touch Side View

CONNECTOR PINOUT	
PIN#	DESIGNATION
1	Shielding
2-25	Sense X1-X24
26-40	Sense Y1-Y15



NOTES:

1. INPUT MODE : PROJECTED CAPACITIVE
2. OVERALL THICKNESS : 1.70±0.20mm
3. COVER GLASS THICKNESS : 1.10mm
4. FRONT SURFACE : CLEAR TYPE
5. TAIL TYPE : GOLD PLATED FPC , ZIF
6. RECOMMENDED CONTROL BOARDS : PENMOUNT PM1200 SERIES
7. OTHER SPEC : SEE APPROVAL SHEET



B	SEP 26 , 2011	EMI SHIELD FILM MODIFY	JERRY
A	AUG 16 , 2011	REMOVED SILVER INK FROM THE SHIELDING FILM	JERRY
NO.	DATE	DESCRIPTION	CHK
REVISION			
CHIEF OF DESIGN		APPROVED	Jerry
ENGINEER		PROJECT MANAGER	
DRAWN BY	Andre	DATE	OCT 24 , 2011
SHT	1	OF	1
		REV.	B



TOLERANCES UNLESS SPECIFIED		MODEL NAME : USMP-MPC070-2
.X	± 0.50	
.XX	± 0.50	
.XXX	± 0.30	DWG NO :
ANGULAR	.	SCALE: N/S UNIT: mm



## Displays

US Micro Products is an industrial distributor specializing in engineered display solutions. We dedicate ourselves to providing the best in displays for the medical, industrial, gaming, automotive, aerospace, military and consumer markets.

OLEDs



TFT Display



Open Frame Monitors



Passive LCDs



Multitouch



Touch Screen



As our customer, you receive expert knowledge, support and service. Our technical sales staff and experienced design engineers provide answers to your questions and engineered solutions to meet your display needs.

## Peripheral Devices

Our full line of peripheral devices includes keyboards, trackballs and printers. These rugged industrial products are designed to meet the rigorous demands of your equipment and are available in a variety of standard and custom options.

Keyboards



Trackballs



Aerospace Trackballs



Printers

