



US Micro Products
Electronic Products for the OEM

TFT-LCD PRODUCT SPECIFICATION

Manufactured by



PART NUMBER:	USMP-G065VN01 V0
DESCRIPTION:	6.5" TFT LCD with VGA (640(H) x 480(V)) screen and 16.2M (RGB 8-bits) or 262k colors (RGB 6-bits).

ISSUE DATE	APPROVED BY (Customer Use Only)	CHECKED BY	PREPARED BY
PROPRIETARY NOTE:	THIS SPECIFICATION IS THE PROPERTY OF US MICRO PRODUCTS AND SHALL NOT BE REPRODUCED OR COPIED WITHOUT THE WRITTEN PERMISSION OF US MICRO PRODUCTS AND MUST BE RETURNED TO US MICRO PRODUCTS UPON ITS REQUEST.		

Contents

1. Handling Precautions.....	4
2. General Description	5
2.1 Display Characteristics	5
2.2 Optical Characteristics.....	6
3. Functional Block Diagram	10
4. Absolute Maximum Ratings	11
4.1 Absolute Ratings of TFT LCD Module	11
4.2 Absolute Ratings of Backlight Unit.....	11
4.3 Absolute Ratings of Environment	11
5. Electrical Characteristics	12
5.1 TFT LCD Module.....	12
5.2 Backlight Unit	14
6. Signal Characteristic.....	15
6.1 Pixel Format Image.....	15
6.2 The Input Data Format.....	16
6.3 Signal Description.....	18
6.4 Interface Timing	19
6.5 Power ON/OFF Sequence.....	21
7. Connector & Pin Assignment.....	22
7.1 TFT LCD Module: LVDS Connector	22
7.2 Backlight Unit: Lamp Connector	22
7.3 Lamp Connector Pin Assignment.....	22
8. Reliability, Shock & Vibration Test Criteria	23
9. Mechanical Characteristics	24
9.1 LCM Outline Dimension (Front View)	24
9.2 LCM Outline Dimension (Rear View)	25
9.3 Screw Hole Depth and Center Position.....	26

CONFIDENTIAL

Record of Revision

Version and Date	Page	Old description	New Description	Remark
0.1 March 6, 2006	All	First edition to all customer		

CONFIDENTIAL

1. Handling Precautions

- 1) Since front polarizer is easily damaged, pay attention not to scratch it.
- 2) Be sure to turn off power supply when inserting or disconnecting from input connector.
- 3) Wipe off water drop immediately. Long contact with water may cause discoloration or spots.
- 4) When the panel surface is soiled, wipe it with absorbent cotton or other soft cloth.
- 5) Since the panel is made of glass, it may break or crack if dropped or bumped on hard surface.
- 6) Since CMOS LSI is used in this module, take care of static electricity and insure human earth when handling.
- 7) Do not open nor modify the Module Assembly.
- 8) Do not press the reflector sheet at the back of the module to any directions.
- 9) In case if a Module has to be put back into the packing container slot after once it was taken out from the container, do not press the center of the CCFL Reflector edge. Instead, press at the far ends of the CFL Reflector edge softly. Otherwise the TFT Module may be damaged.
- 10) At the insertion or removal of the Signal Interface Connector, be sure not to rotate nor tilt the Interface Connector of the TFT Module.
- 11) After installation of the TFT Module into an enclosure (Notebook PC Bezel, for example), do not twist nor bend the TFT Module even momentary. At designing the enclosure, it should be taken into consideration that no bending/twisting forces are applied to the TFT Module from outside. Otherwise the TFT Module may be damaged.
- 12) Cold cathode fluorescent lamp in LCD contains a small amount of mercury. Please follow local ordinances or regulations for disposal.
- 13) Small amount of materials having no flammability grade is used in the LCD module. The LCD module should be supplied by power complied with requirements of Limited Power Source (, IEC60950 or UL1950), or be applied exemption.
- 14) The LCD module is designed so that the CFL in it is supplied by Limited Current Circuit (IEC60950 or UL1950). Do not connect the CFL in Hazardous Voltage Circuit.

2. General Description

G065VN01 V0 is a Color Active Matrix Liquid Crystal Display composed of a TFT LCD panel, a driver circuit, and backlight system. The screen format is intended to support the VGA (640(H) x 480(V)) screen and 16.2M (RGB 8-bits) or 262k colors (RGB 6-bits). All input signals are LVDS interface compatible. Inverter card of backlight is not included.

G065VN01 V0 is designed for human machine interface and for industrial display use.

2.1 Display Characteristics

The following items are characteristics summary on the table under 25 °C condition:

Items	Unit	Specifications
Screen Diagonal	[inch]	6.5
Active Area	[mm]	132.48(H) x 99.36(V)
Pixels H x V		640x3(RGB) x 480
Pixel Pitch	[mm]	0.069 x 0.207
Pixel Arrangement		R.G.B. Vertical Stripe
Display Mode		TN, Normally White
Typical White Luminance (5 point average)	[cd/m ²]	500 typ. (ICFL=5.0mA) 400 typ. (ICFL=3.8mA)
Luminance Uniformity		80% min. (5 points)
Contrast Ratio		450:1 typ.
Response Time	[msec]	26 typ.
Nominal Input Voltage VDD	[Volt]	3.3 typ.
Typical Power Consumption	[Watt]	4.5W (ICFL=5.0mA) 3.84W (ICFL=3.8mA) All black pattern
Weight	[Grams]	210g typ.
Physical Size	[mm]	153.0x 118.0 x 10.7 (typ.)
Electrical Interface		1 channel LVDS
Surface Treatment		Anti-glare, Hardness 3H,
Support Color		16.2M / 262K colors
Temperature Range Operating Storage (Non-Operating)	[°C] [°C]	-10 to +70 -20 to +80
RoHS Compliance		RoHS Compliance

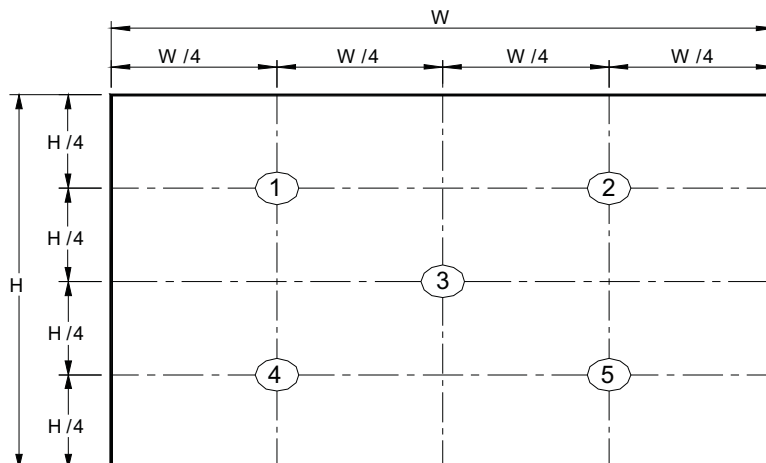
CONFIDENTIAL

2.2 Optical Characteristics

The optical characteristics are measured under stable conditions at 25 °C (Room Temperature):

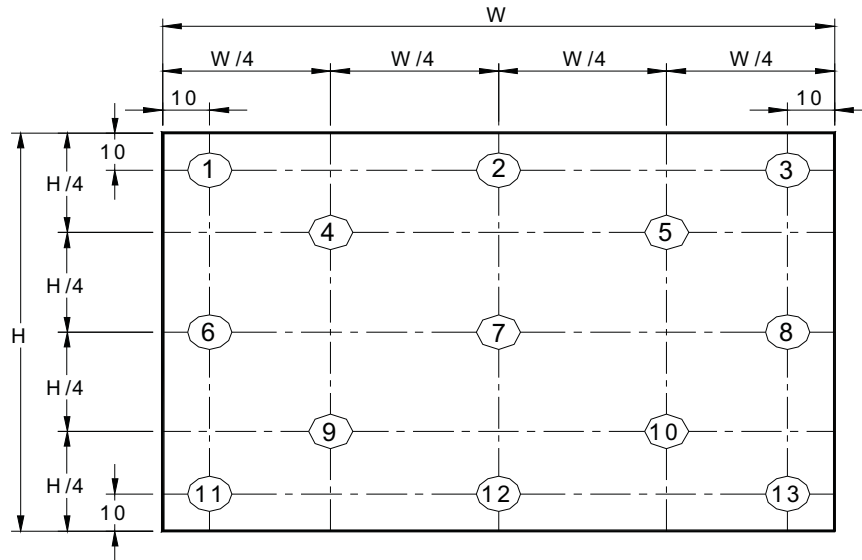
Item	Unit	Conditions	Min.	Typ.	Max.	Note
White Luminance	[cd/m ²]	CCFL 5.0mA 5 points average	TBD	500	-	1,2
		CCFL 3.8 mA 5 points average	TBD	400	-	
Uniformity	%	5 Points	80%			1, 2, 3
		13 Points	60%			
Contrast Ratio			TBD	450	-	
Cross talk	%				TBD	5
Response Time	[msec]	Rising	-	15	19	6
	[msec]	Falling	-	11	16	
	[msec]	Raising + Falling		26	35	
Viewing Angle	[degree]	Horizontal (Right) CR = 10 (Left)	-	70	-	7
	[degree]		-	70	-	
	[degree]	Vertical (Upper) CR = 10 (Lower)	-	60	-	
	[degree]		-	60	-	
Color / Chromaticity Coordinates (CIE 1931)		Red x	TBD	TBD	TBD	
		Red y	TBD	TBD	TBD	
		Green x	TBD	TBD	TBD	
		Green y	TBD	TBD	TBD	
		Blue x	TBD	TBD	TBD	
		Blue y	TBD	TBD	TBD	
		White x	0.293	0.313	0.343	
		White y	0.299	0.329	0.350	

Note 1: 5 points position (Display active area : 132.48mm(W) x 99.36mm(H))



CONFIDENTIAL

Note 2: 13 points position



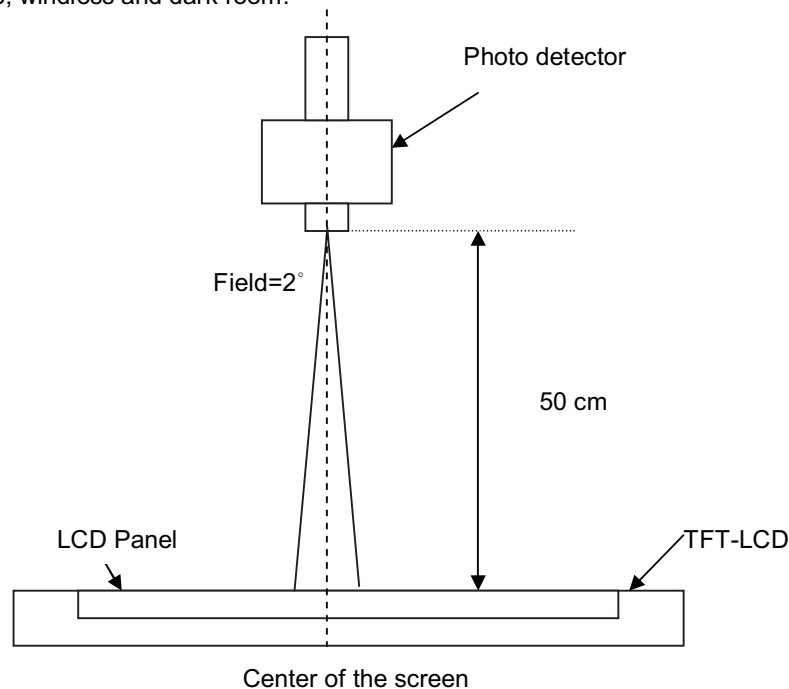
Note 3: The luminance uniformity of 5 and 13 points is defined by dividing the maximum luminance values by the minimum test point luminance

$$\delta_{w5} = \frac{\text{Maximum Brightness of five points}}{\text{Minimum Brightness of five points}}$$

$$\delta_{w13} = \frac{\text{Maximum Brightness of thirteen points}}{\text{Minimum Brightness of thirteen points}}$$

Note 4: Measurement method

The LCD module should be stabilized at given temperature for 30 minutes to avoid abrupt temperature change during measuring. In order to stabilize the luminance, the measurement should be executed after lighting Backlight for 30 minutes in a stable, windless and dark room.



CONFIDENTIAL

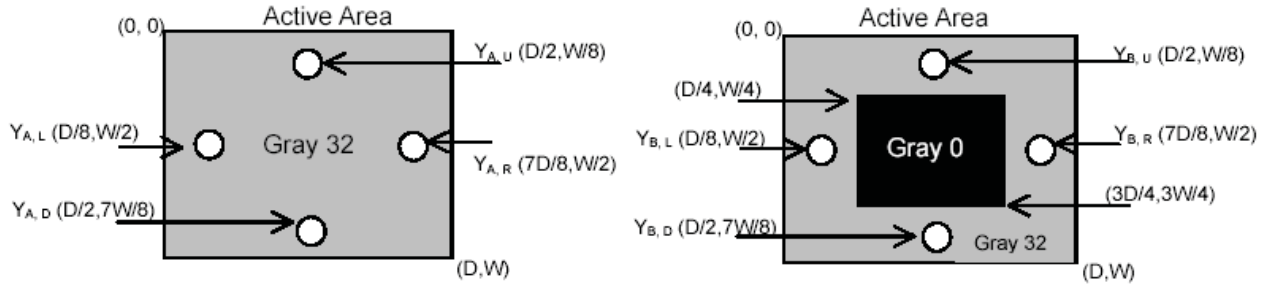
Note 5 : Definition of Cross Talk (CT)

$$CT = |Y_B - Y_A| / Y_A \times 100 (\%)$$

Where

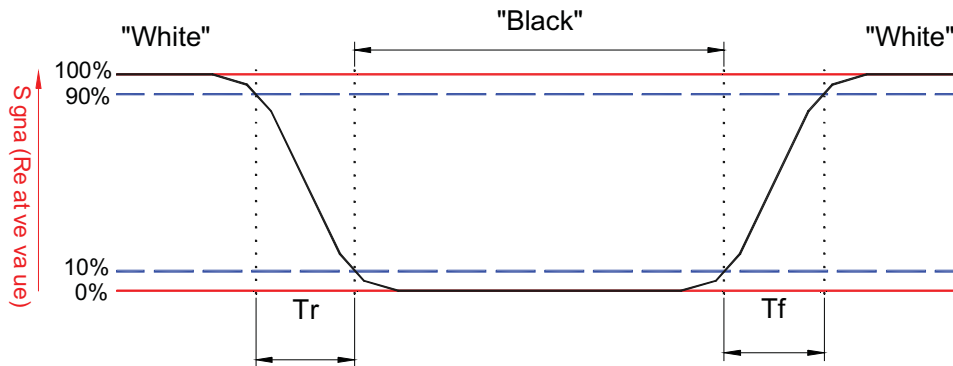
Y_A = Luminance of measured location without gray level 0 pattern (cd/m²)

Y_B = Luminance of measured location with gray level 0 pattern (cd/m²)



Note 6: Definition of response time:

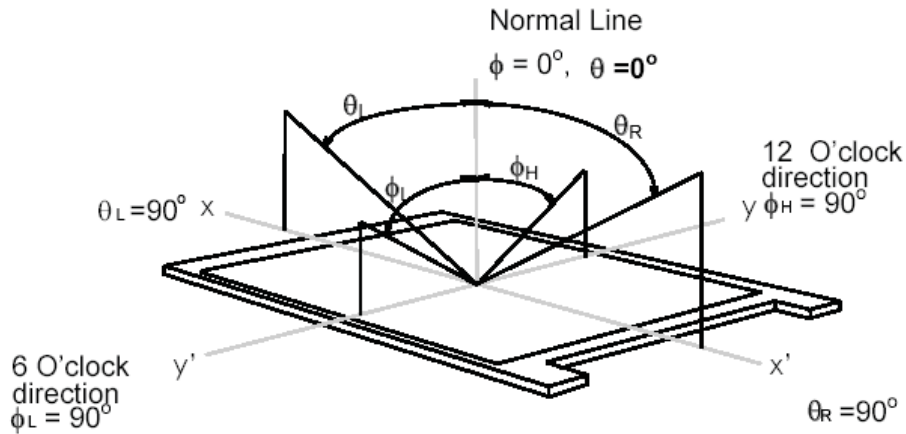
The output signals of BM-7 or equivalent are measured when the input signals are changed from "Black" to "White" (falling time) and from "White" to "Black" (rising time), respectively. The response time interval between the 10% and 90% of amplitudes. Refer to figure as below.



CONFIDENTIAL

Note 7. Definition of viewing angle

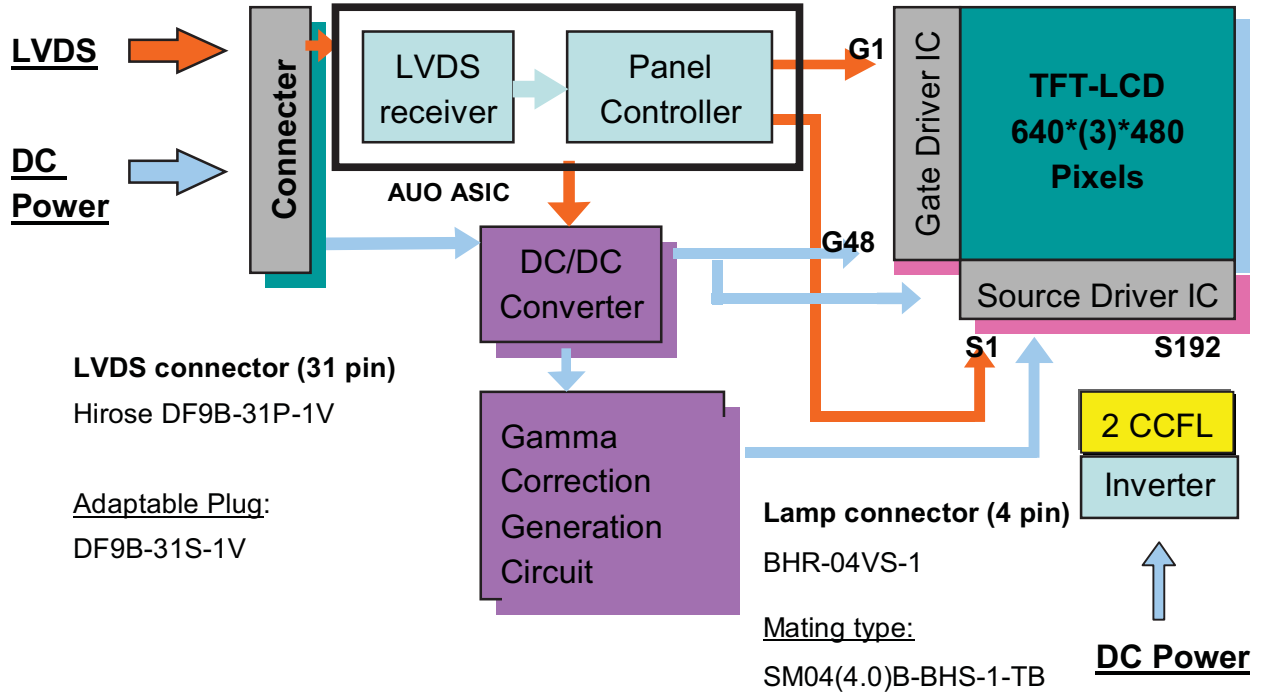
Viewing angle is the measurement of contrast ratio ≥ 10 , at the screen center, over a 180° horizontal and 180° vertical range (off-normal viewing angles). The 180° viewing angle range is broken down as follows; 90° (θ) horizontal left and right and 90° (Φ) vertical, high (up) and low (down). The measurement direction is typically perpendicular to the display surface with the screen rotated about its center to develop the desired measurement viewing angle.



CONFIDENTIAL

3. Functional Block Diagram

The following diagram shows the functional block of the 6.5 inches Color TFT/LCD Module:



CONFIDENTIAL

4. Absolute Maximum Ratings

Absolute maximum ratings of the module are as below:

4.1 Absolute Ratings of TFT LCD Module

Item	Symbol	Min	Max	Unit	Conditions
Logic/LCD Drive	Vin	-0.3	+4.0	[Volt]	Note 1,2

4.2 Absolute Ratings of Backlight Unit

Item	Symbol	Min	Max	Unit	Conditions
CCFL Current	ICFL	-	TBD	[mA] rms	Note 1,2

4.3 Absolute Ratings of Environment

Item	Symbol	Min	Max	Unit	Conditions
Operating Temperature	TOP	-10	+70	[°C]	Note 3
Operation Humidity	HOP	8	95	[%RH]	Note 3
Storage Temperature	TST	-20	+80	[°C]	Note 3
Storage Humidity	HST	5	95	[%RH]	Note 3

Note 1: With in Ta (25°C)

Note 2: Permanent damage to the device may occur if exceed maximum values

CONFIDENTIAL

5. Electrical Characteristics

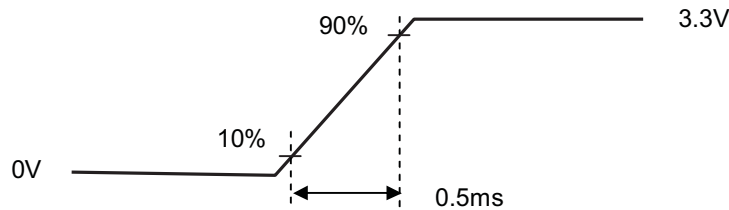
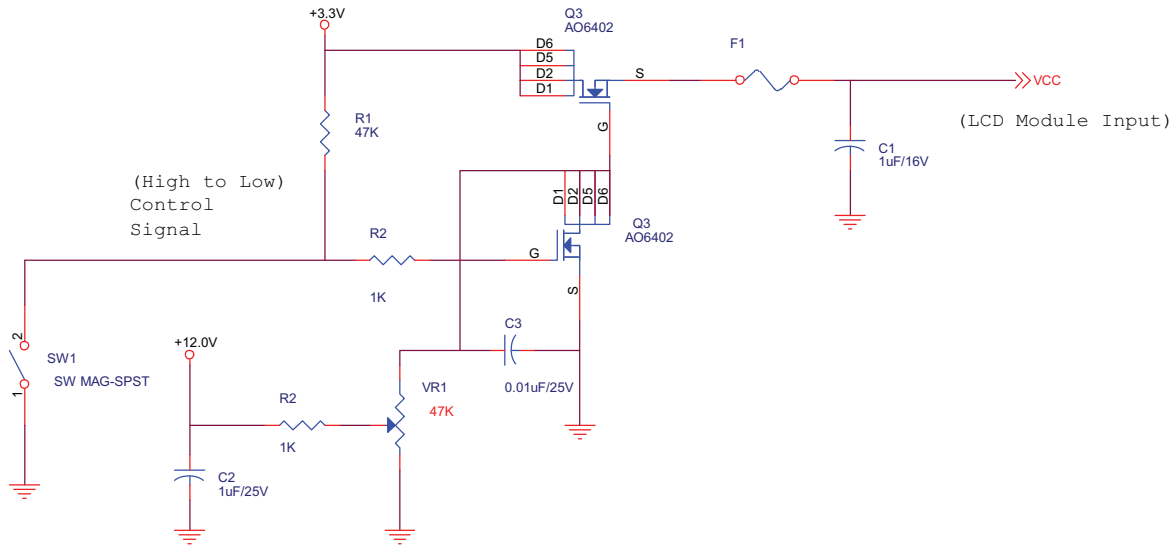
5.1 TFT LCD Module

5.1.1 Power Specification

Input power specifications are as follows;

Symble	Parameter	Min	Typ	Max	Units	Condition
VDD	Logic/LCD Drive Voltage	3.0	3.3	3.6	[Volt]	
PDD	VDD Power		0.9		[Watt]	Max: All Black Pattern
IDD	IDD Current		270		mA	Max: All Black Pattern
IRush	Inrush Current			TBD	mA	
VDDrp	Allowable Logic/LCD Drive Ripple Voltage			100	[mV] p-p	

Note 1 : Measurement conditions:



VCC rising time

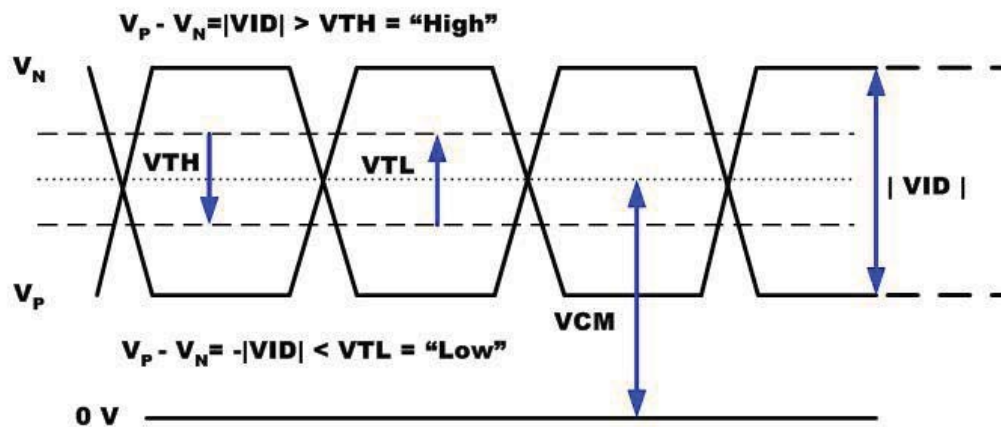
CONFIDENTIAL

5.1.2 Signal Electrical Characteristics

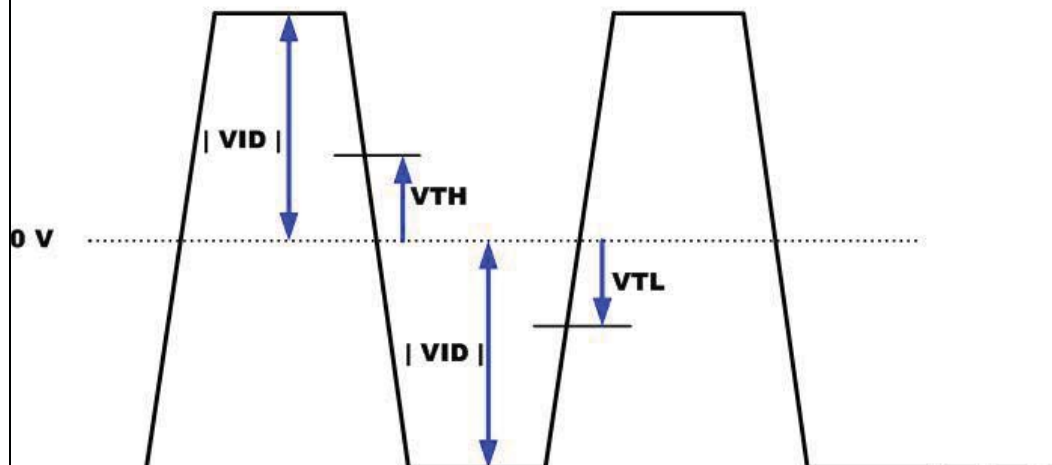
Input signals shall be low or Hi-Z state when VDD is off.

Item	Symbol	Min.	Typ.	Max.	Unit	Condition
Differential input Voltage	VID	0.25	0.35	0.45	V	
LVDS input common mode voltage	VCM	1.125	1.25	1.375	V	VTH/VTL=±100mV
Differential Input High Threshold Voltage	VTH	-	-	100	mV	VCM=1.25V
Differential Input Low Threshold Voltage	VTL	-100	-	-	mV	

Single-end Signal



Differential Signal



CONFIDENTIAL

5.2 Backlight Unit

Parameter guideline for CCFL Inverter

Parameter	Min	Typ	Max	Units	Condition
White Luminance 5 points average	-	500	-	[cd/m ²]	(Ta=25°C) ,ICFL=5mA
	-	400	-		(Ta=25°C) ,ICFL=3.8mA
CCFL current(ICFL)	TBD	5	TBD	[mA] rms	(Ta=25°C) Note 1
CCFL Frequency(FCFL)	50	60	70	[KHz]	(Ta=25°C) Note 2
CCFL Ignition Voltage(Vs)	650	-	-	[Volt] rms	(Ta=25°C)
	1430	-	-		(Ta= -10°C)
CCFL Voltage (Reference) (VCFL)	-	365	-	[Volt] rms	(Ta=25°C) ,ICFL=5mA
	-	386.6	-		(Ta=25°C) ,ICFL=3.8mA
CCFL Power consumption (PCFL)	-	3.65	-	[Watt]	(Ta=25°C) ,ICFL=5mA Note 3
	-	2.94	-		(Ta=25°C) ,ICFL=3.8mA

Note 1: The display is with dual lamp design, and the CCFL current in above table refers to each lamp.

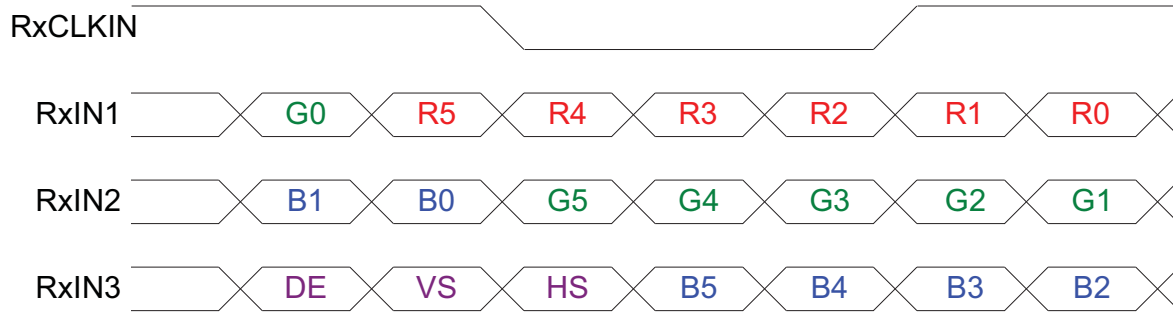
Note 2: CCFL discharge frequency should be carefully determined to avoid interference between inverter and TFT LCD.

Note 3: Calculator value for reference (ICFL×VCFL×2=PCFL)

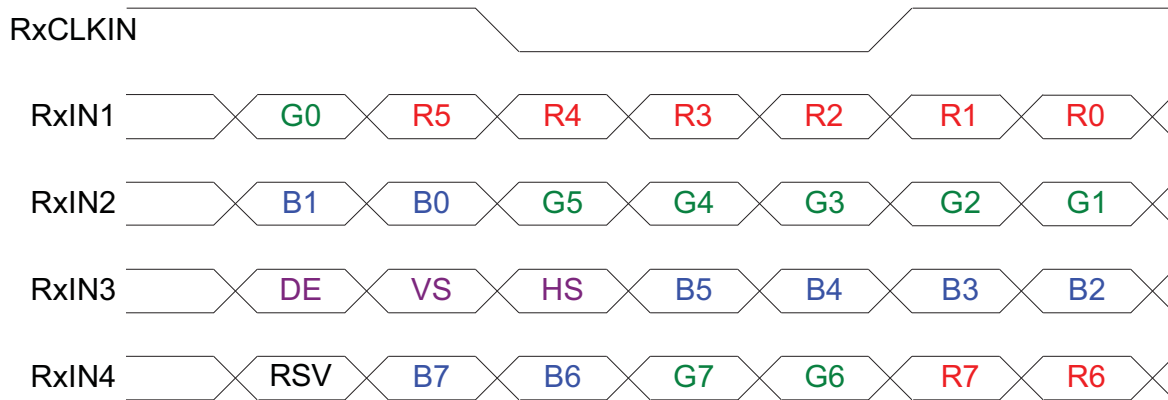
CONFIDENTIAL

6.2 The Input Data Format

SEL68 = "High" or "NC" for 6 bits LVDS Input



SEL68 = "Low" for 8 bits LVDS Input



CONFIDENTIAL

The signal description is listed as following.

Signal Name	Description	Remark
R7	Red Data 7	Red-pixel Data For 8Bits LVDS input MSB: R7 ; LSB: R0 For 6Bits LVDS input MSB: R5 ; LSB: R0
R6	Red Data 6	
R5	Red Data 5	
R4	Red Data 4	
R3	Red Data 3	
R2	Red Data 2	
R1	Red Data 1	
R0	Red Data 0	
G7	Green Data 7	Green-pixel Data For 8Bits LVDS input MSB: G7 ; LSB: G0 For 6Bits LVDS input MSB: G5 ; LSB: G0
G6	Green Data 6	
G5	Green Data 5	
G4	Green Data 4	
G3	Green Data 3	
G2	Green Data 2	
G1	Green Data 1	
G0	Green Data 0	
B7	Blue Data 7	Blue-pixel Data For 8Bits LVDS input MSB: B7 ; LSB: B0 For 6Bits LVDS input MSB: B5 ; LSB: B0
B6	Blue Data 6	
B5	Blue Data 5	
B4	Blue Data 4	
B3	Blue Data 3	
B2	Blue Data 2	
B1	Blue Data 1	
B0	Blue Data 0	
RxCLKIN	LVDS Data Clock	
DE	Data Enable Signal	When the signal is high, the pixel data shall be valid to be displayed.
VS	Vertical Synchronous Signal	
HS	Horizontal Synchronous Signal	

Note: Output signals from any system shall be low or Hi-Z state when VDD is off.

CONFIDENTIAL

6.3 Signal Description

The module uses a LVDS receiver embedded in AUO's ASIC. LVDS is a differential signal technology for LCD interface and high-speed data transfer device.

<i>Pin No.</i>	<i>Symbol</i>	<i>Pin Description</i>
1	GND	Ground
2	GND	Ground
3	RxIN3+	"NC" for 6 Bits LVDS input
4	NC	No connection
5	RxIN3-	"NC" for 6 Bits LVDS input
6	NC	No connection
7	GND	Ground
8	DPS	Selection of scan direction DPS="Low" or "NC", Normal scan. DPS="High", Reverse scan.
9	RxCLKIN+	LVDS differential clock input
10	NC	No connection
11	RxCLKIN-	LVDS differential clock input
12	NC	No connection
13	GND	Ground
14	GND	Ground
15	RxIN2+	LVDS differential input(Blue2-Blue5, Hsync, Vsync, DE)
16	GND	Ground
17	RxIN2-	LVDS differential input(Blue2-Blue5, Hsync, Vsync, DE)
18	NC	No connection
19	GND	Ground
20	NC	No connection
21	RxIN1+	LVDS differential input(Green1-Green5, Blue0, Blue1)
22	NC	No connection
23	RxIN1-	LVDS differential input(Green1-Green5, Blue0, Blue1)
24	NC	No connection
25	GND	Ground
26	SEL68	Selection for either 6 bit or 8bit LVDS input: SEL68="High" or "NC", accepts 6 bits LVDS data input; SEL68="Low", accepts 8 bits LVDS data input.
27	RxIN0+	LVDS differential input(Red0-Red5, Green0)
28	VCC	Power supply
29	RxIN0-	LVDS differential input(Red0-Red5, Green0)
30	VCC	Power supply
31	GND	Ground

Note: Input signals shall be in low status when VDD is off.

CONFIDENTIAL

6.4 Interface Timing

6.4.1 Timing Characteristics

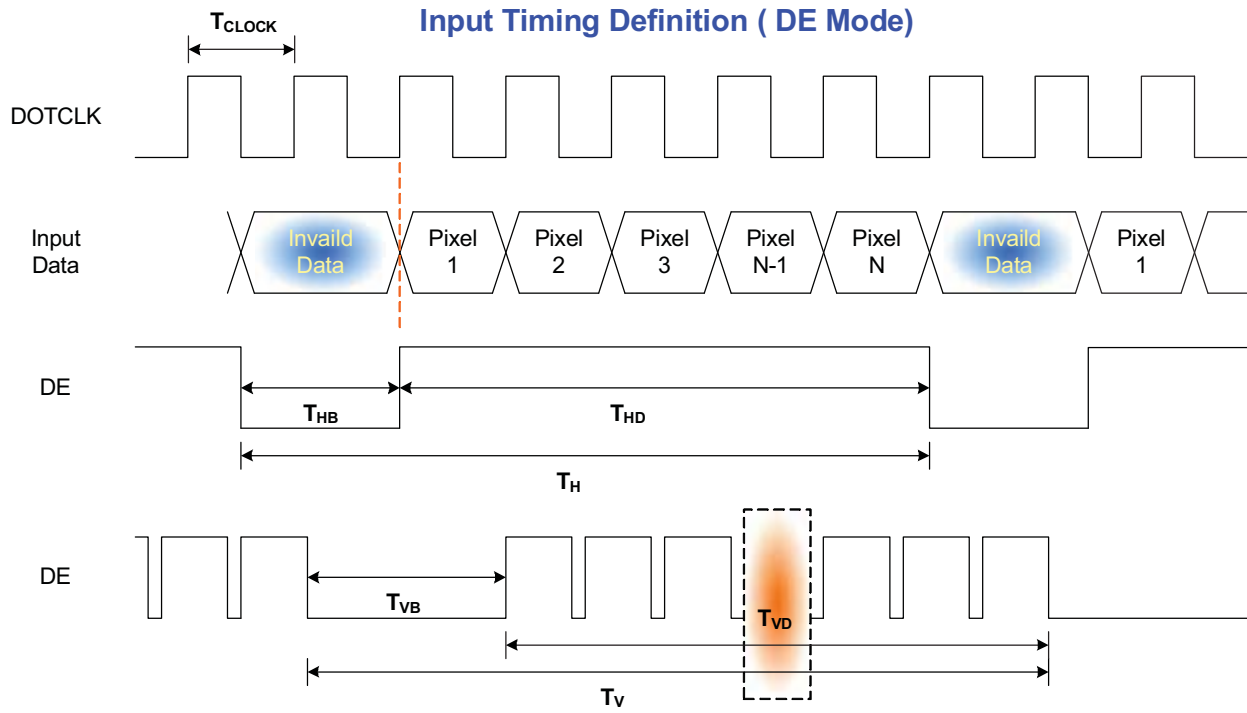
Parameter		Symbol	Min.	Typ.	Max.	Unit	Condition
Clock frequency		$1/T_{\text{Clock}}$	20	25.2	50	MHz	1,2
Vertical Section	Period	T_V	520	525	622	T_{Line}	1,2
	Active	T_{VD}	480	480	480		
	Blanking	T_{VB}	40	45	142		
Horizontal Section	Period	T_H	770	800	1070	T_{Clock}	1,2
	Active	T_{HD}	640	640	640		
	Blanking	T_{HB}	130	160	430		

Note 1: Frame rate is 60 Hz.

Note 2: DE mode.

CONFIDENTIAL

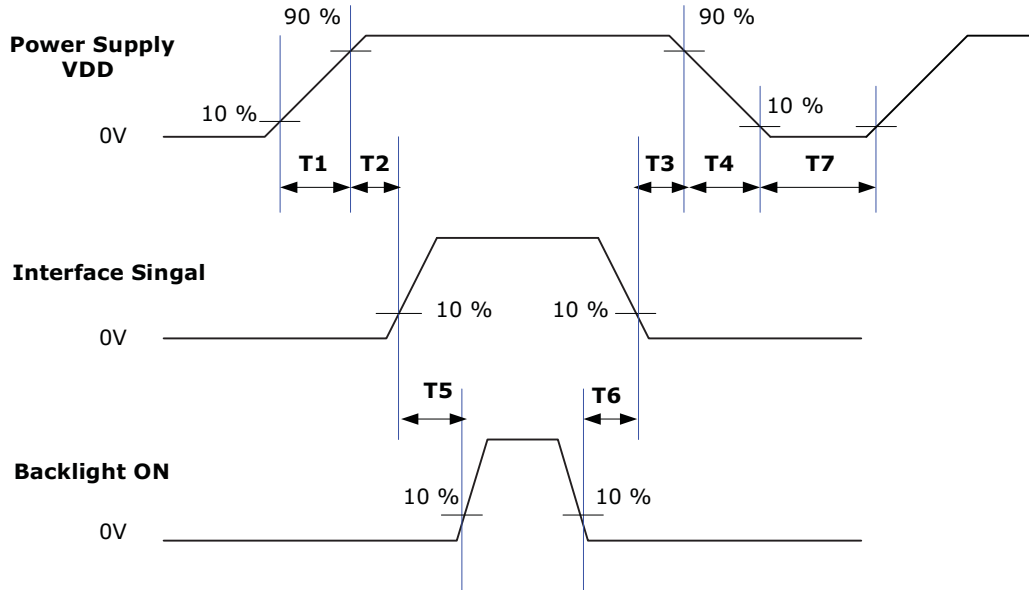
6.4.2 Input Timing Diagram



CONFIDENTIAL

6.5 Power ON/OFF Sequence

VDD power and lamp on/off sequence is as follows. Interface signals are also shown in the chart. Signals from any system shall be Hi-Z state or low level when VDD is off.



Power ON/OFF sequence timing

Parameter	Value			Units
	Min.	Typ.	Max.	
T1	0.5	-	10	ms
T2	0	-	50	ms
T3	0	-	50	ms
T4	0	-	10	ms
T5	180	-	-	ms
T6	180	-	-	ms
T7	500	-	-	ms

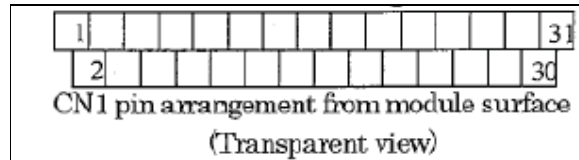
CONFIDENTIAL

7. Connector & Pin Assignment

Physical interface is described as for the connector on module. These connectors are capable of accommodating the following signals and will be following components.

7.1 TFT LCD Module: LVDS Connector

Connector Name / Designation	For Signal Connector
Manufacturer	Hirose or compatible
Connector Model Number	DF9B-31P-1V
Adaptable Plug	DF9B-31S-1V

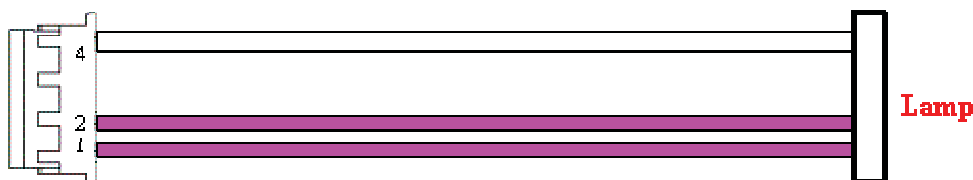


7.2 Backlight Unit: Lamp Connector

Connector Name / Designation	For Lamp Connector
Manufacturer	JST or compatible
Connector Model Number	BHR-04VS-1
Mating Model Number	SM04(4.0)B-BHS-1-TB

7.3 Lamp Connector Pin Assignment

Pin #	Cable color	Signal Name
4	White	Lamp Low Voltage
3	NC	No Connection
2	Pink	Lamp High Voltage
1	Pink	Lamp High Voltage



CONFIDENTIAL

8. Reliability, Shock & Vibration Test Criteria

Items	Required Condition	Note
Temperature Humidity Bias	40°C/90%,300Hr	
High Temperature Operation	70°C ,300Hr	
Low Temperature Operation	-10°C ,300Hr	
On/Off Test	25°C ,167hrs(ON/10 sec. OFF/10sec., 30,000 cycles)	
Hot Storage	80°C ,300 hours	
Cold Storage	-20°C ,300 hours	
Thermal Shock Test	-20°C/30 min ,60°C/30 min ,100cycles	
Hot Start Test	70°C/1 Hr min. power on/off per 5 minutes, 5 times	
Cold Start Test	-10°C/1 Hr min. power on/off per 5 minutes, 5 times	
ESD	Contact : ±8KV/ operation, Class B Air : ±15KV / operation, Class B	Note 1
Shock Test (Non-Operating)	50G,11ms,Half-sine wave,(+X,+Y,+Z)	
Vibration Test (Non-Operating)	1.5G, 50~500~50Hz, Sine wave 30mins/axis, 3 direction (X, Y, Z)	

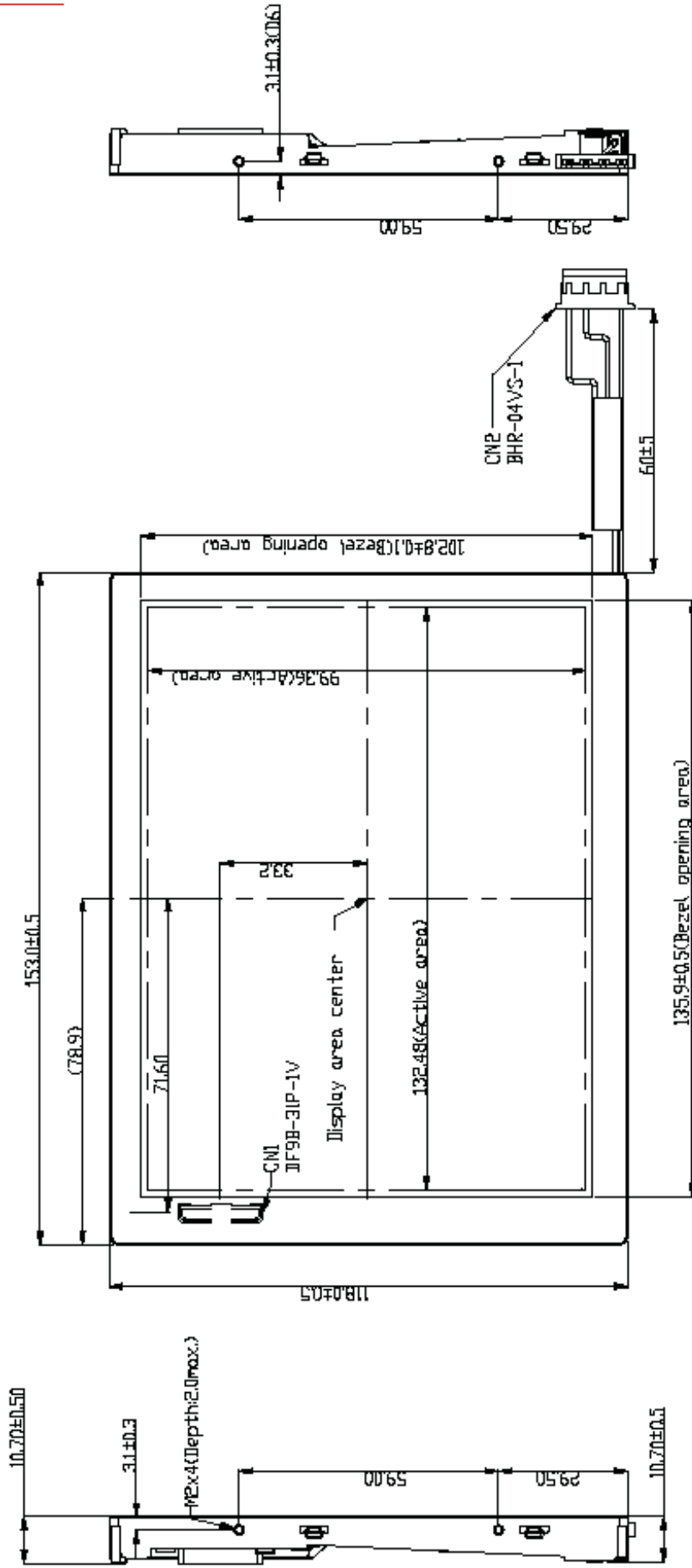
Note1: According to EN61000-4-2 , ESD class B: Some performance degradation allowed. No data lost

. Self-recoverable. No hardware failures.

CONFIDENTIAL

CONFIDENTIAL

9. Mechanical Characteristics
9.1 LCM Outline Dimension (Front View)

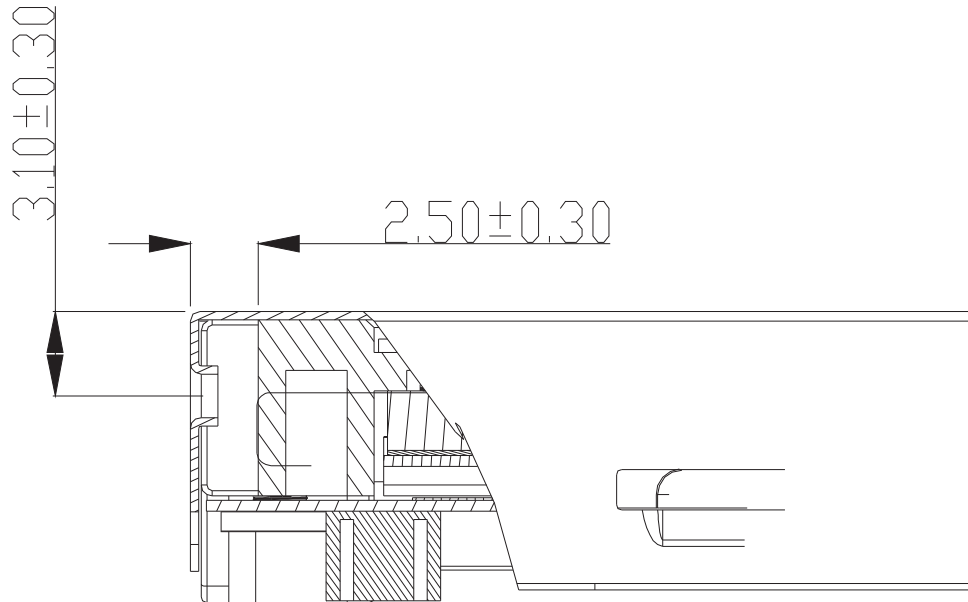


9.3 Screw Hole Depth and Center Position

Screw hole minimum depth, from side surface = $2.5 \pm 0.3\text{mm}$ (See drawing)

Screw hole center location, from front surface = $3.1 \pm 0.3\text{mm}$ (See drawing)

Screw Torque: Maximum 2.0 kgf-cm



CONFIDENTIAL



US Micro Products

Electronic Products for the OEM

Los Angeles • Austin • New York • Orlando • Shenzhen

(800) 741-7755

www.usmicroproducts.com

Displays

US Micro Products is an industrial distributor specializing in engineered display solutions. We dedicate ourselves to providing the best in displays for the medical, industrial, gaming, automotive, aerospace, military, and consumer markets.

OLEDs



TFT Displays



Open Frame Monitors



Passive LCDs



Multitouch



As a customer, you benefit from our expert knowledge, support and service which allow quick selection and design-in of the best display for your application. On hand stock and demo boards facilitate quick access and evaluation to get you going fast. Our technical sales staff and experienced design engineers provide answers to your questions as well as engineered solutions to solve your display needs.

Peripheral Devices

Our full line of peripheral devices includes keyboards, trackballs, and printers. These rugged industrial products are designed to meet your demanding requirements and are available as both standard and custom solutions.

Keyboards



Trackballs



Aerospace Trackballs



Joysticks



Printers

