



US Micro Products
Electronic Products for the OEM

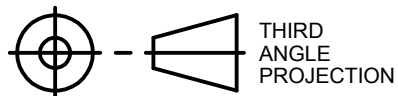
TRACKBALL PRODUCT SPECIFICATION

PART NUMBER:	USMP-DS509467
DESCRIPTION:	50mm (2") Black Panel Mounted Autodetects to PS/2 or USB dependent Trackball

ISSUE DATE	APPROVED BY (Customer Use Only)	CHECKED BY	PREPARED BY
PROPRIETARY NOTE:	THIS SPECIFICATION IS THE PROPERTY OF US MICRO PRODUCTS AND SHALL NOT BE REPRODUCED OR COPIED WITHOUT THE WRITTEN PERMISSION OF US MICRO PRODUCTS AND MUST BE RETURNED TO US MICRO PRODUCTS UPON ITS REQUEST.		

DRAWING NUMBER
DS509467

DATA SHEET

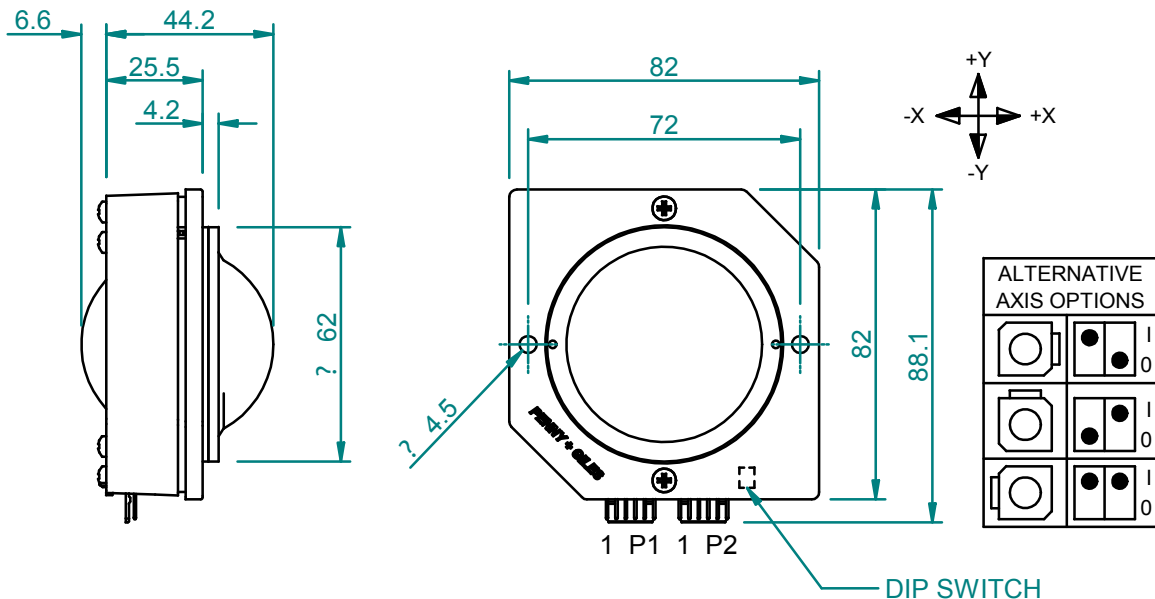


USED ON
CCS07-
1174

D or
CAT No

M.A/S.A

GA74334



SPECIFICATION

BALL ———— Ø 2.0" PHENOLIC. COLOUR BLACK.
 CHASSIS ——— FR ABS MOULDED, COLOUR BLACK.
 T/BALL SEAL — NITRILE RUBBER COMPOUND SEAL (REMOVABLE).
 COLOUR BLACK.
 CONNECTOR — 6 WAY, 90° SQUARE PIN HEADER, MOLEX SERIES 5046.
 RESOLUTION ——— 960 PULSES/BALL REV.
 OPERATING TEMP — 0 TO + 50 ° C
 WEIGHT ———— 0.25KG APPROX.
 SUPPLY — +5V DC ± 5% @ 50MA MAX
 OUTPUT — AUTODETECTS TO PS/2 OR USB DEPENDENT ON HOST.

CONNECTION DETAILS

SWITCH INPUT (P1):
 PIN DESCRIPTION
 1 0V GND
 2 LEFT SWITCH
 3 0V GND
 4 RIGHT SWITCH
 5 0V GND
 6 MIDDLE SWITCH

SERIAL OUTPUT (P2):
 PIN DESCRIPTION
 1 -D/DATA (USB/PS2)
 2 +D/CLOCK (USB/PS2)
 3 EARTH GND
 4 +5V
 5 0V GND
 6 EARTH GND

CONFIDENTIAL

ISSUE	1					
DATE	25.10.2007					
CHANGE	NEW DWG					

MATERIAL	FINISH	TOL. ±0.5	SCALE 1:2 DIMS MM
----------	--------	--------------	----------------------

APP
[Signature]

CHKD
[Signature]

In North America
 (800) 741-7755
 sales@usmicroproducts.com
 www.usmicroproducts.com

DRAWN R.HARNETT	TITLE 2" PANEL MOUNTED TRACKBALL (TBPJ/50)	SIZE A4	DRAWING NUMBER DS509467
--------------------	--	-------------------	-----------------------------------



US Micro Products

Electronic Products for the OEM

Los Angeles • Austin • New York • Orlando • Shenzhen

(800) 741-7755

www.usmicroproducts.com

Displays

US Micro Products is an industrial distributor specializing in engineered display solutions. We dedicate ourselves to providing the best in displays for the medical, industrial, gaming, automotive, aerospace, military, and consumer markets.

OLEDs



TFT Displays



Open Frame Monitors



Passive LCDs



Multitouch



As a customer, you benefit from our expert knowledge, support and service which allow quick selection and design-in of the best display for your application. On hand stock and demo boards facilitate quick access and evaluation to get you going fast. Our technical sales staff and experienced design engineers provide answers to your questions as well as engineered solutions to solve your display needs.

Peripheral Devices

Our full line of peripheral devices includes keyboards, trackballs, and printers. These rugged industrial products are designed to meet your demanding requirements and are available as both standard and custom solutions.

Keyboards



Trackballs



Aerospace Trackballs



Joysticks



Printers

