



**US Micro Products**  
*Electronic Products for the OEM*

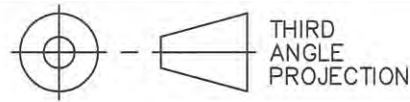
# TRACKBALL PRODUCT SPECIFICATION

<b>PART NUMBER:</b>	<b>USMP-DS509174</b>
<b>DESCRIPTION:</b>	38mm (1.5") Phenolic Trackball with 3 Buttons.

ISSUE DATE	APPROVED BY (Customer Use Only)	CHECKED BY	PREPARED BY
<b>PROPRIETARY NOTE:</b>	THIS SPECIFICATION IS THE PROPERTY OF US MICRO PRODUCTS AND SHALL NOT BE REPRODUCED OR COPIED WITHOUT THE WRITTEN PERMISSION OF US MICRO PRODUCTS AND MUST BE RETURNED TO US MICRO PRODUCTS UPON ITS REQUEST.		

DRAWING NUMBER  
DS509174

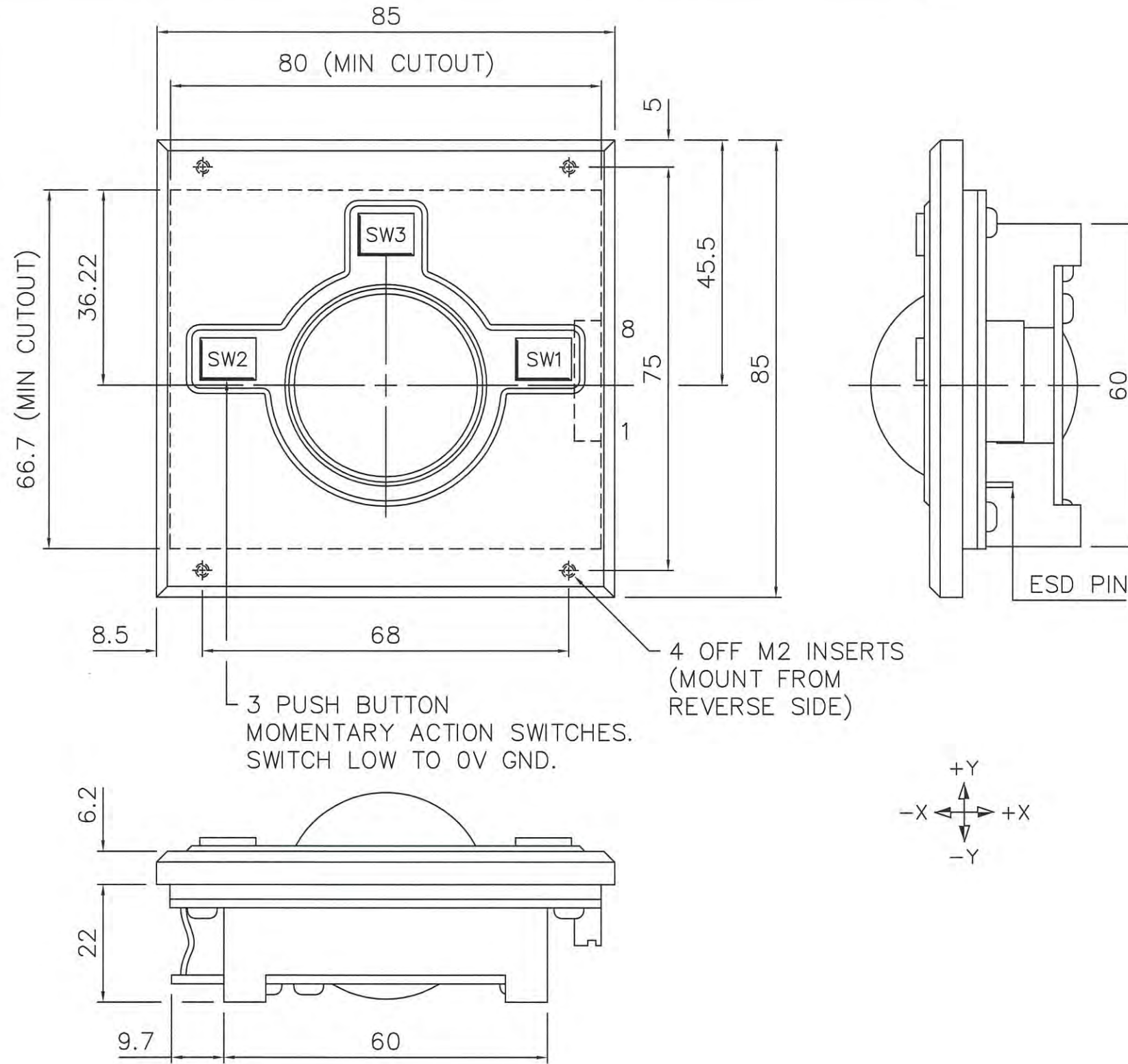
DATA SHEET



USED ON

D or CAT.No

M.A./S.A.



SPECIFICATION

BALL ~  $\phi 1.5$ " COLOUR: BLACK.  
 TOP PLATE ~ A.B.S, COLOUR: DARK GREY.  
 TOP RING ~ P.T.F.E. BALL SEAL/RESTRAINING RING.  
 RESOLUTION ~ 800 EDGES/REVOLUTION.  
 CONNECTOR ~ 8 WAY LP MOLEX HEADER, 5483 SERIES.  
 SUPPLY ~ +5V D.C  $\pm 5\%$  @ 50mA MAX.  
 OUTPUT ~ UNIT WILL AUTODETECT TO EITHER PS2 OR USB DEPENDENT ON HOST.

CONNECTION DETAILS

PIN	DESCRIPTION
1	N/C
2	N/C
3	N/C
4	N/C
5	+ DATA/CLOCK (USB/PS2)
6	- DATA/DATA (USB/PS2)
7	+5V D.C
8	0V GND

CONFIDENTIAL

APP.	MATERIAL	FINISH	TOL.	SCALE 1:1	ISSUE	1	1A	1B	2	3	3A	3C
	-	-	$\pm 0.5$	DIMNS MM	DATE	24.1.02	20.8.03	03.11.03	16.2.04	1.12.04	22.6.06	15.10.09
CHKD.					CHANGE	PROD.	ECN1086	ECN1121	ECN1100	ECN1212	ECN1357	ECN1612

DRAWN R.HARNETT	<p>US Micro Products Electronic Products for the OEM</p>	<p>In North America (800) 741-7755 sales@usmicroproducts.com www.usmicroproducts.com</p>	<p>AMETEK AEROSPACE &amp; DEFENSE</p>	<p>TITLE PROTECTED MINIATURE TRACKERBALL WITH 3 INTEGRAL SWITCHES THROUGH PANEL MOUNTING</p>	<p>SIZE A3</p>	<p>DRAWING NUMBER DS509174</p>
--------------------	--	--	---	--	--------------------	------------------------------------



## Displays

US Micro Products is an industrial distributor specializing in engineered display solutions. We dedicate ourselves to providing the best in displays for the medical, industrial, gaming, automotive, aerospace, military and consumer markets.

**OLEDs**



**TFT Display**



**Open Frame Monitors**



**Passive LCDs**



**Multitouch**



**Touch Screen**



As our customer, you receive expert knowledge, support and service. Our technical sales staff and experienced design engineers provide answers to your questions and engineered solutions to meet your display needs.

## Peripheral Devices

Our full line of peripheral devices includes keyboards, trackballs and printers. These rugged industrial products are designed to meet the rigorous demands of your equipment and are available in a variety of standard and custom options.

**Keyboards**



**Trackballs**



**Aerospace Trackballs**



**Printers**

