



US Micro Products
Electronic Products for the OEM

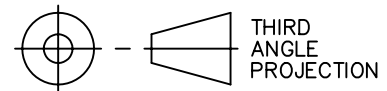
TRACKBALL PRODUCT SPECIFICATION

PART NUMBER:	USMP-DS49080
DESCRIPTION:	38mm (1.5") Stainless Steel Anti-Vandal Fascia Mounted Trackball

ISSUE DATE	APPROVED BY (Customer Use Only)	CHECKED BY	PREPARED BY
PROPRIETARY NOTE:	THIS SPECIFICATION IS THE PROPERTY OF US MICRO PRODUCTS AND SHALL NOT BE REPRODUCED OR COPIED WITHOUT THE WRITTEN PERMISSION OF US MICRO PRODUCTS AND MUST BE RETURNED TO US MICRO PRODUCTS UPON ITS REQUEST.		

DRAWING NUMBER
DS49080

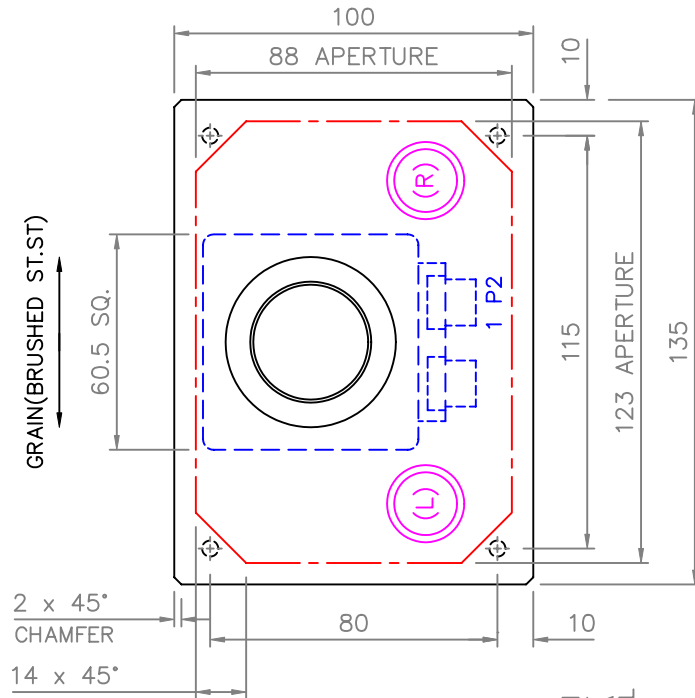
DATA SHEET



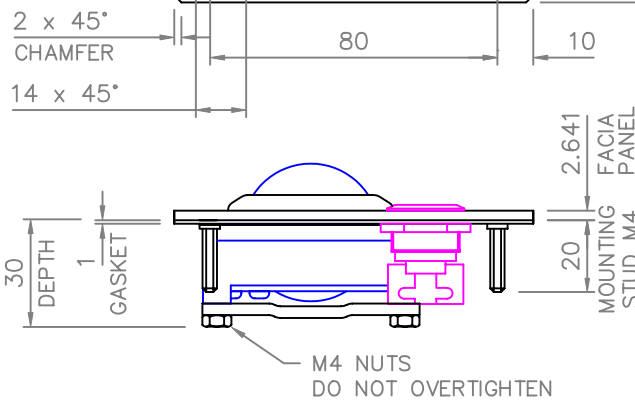
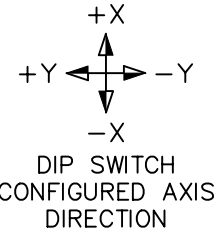
USED ON
X1234

D or
CAT No

G.A:
GA78098



DEFAULT ORIENTATION



CONNECTOR P2 DETAILS

PIN	DESCRIPTION
1	- DATA/ (USB) DATA (PS2)
2	+ DATA/ (USB) CLOCK (PS2)
3	EARTH GROUND
4	+5V
5	SIGNAL GROUND
6	EARTH GROUND

TRACKERBALL SPECIFICATION

RESOLUTION ~ 800 EDGES PER BALL REVOLUTION.
 CONNECTOR ~ 6 PIN, 90° HEADER, 2.5 PITCH, MOLEX 5046 SERIES.
 SEALING ~ RUBBER LIP SEAL ON BALL, FOAM GASKET FACIA SEAL.
 SUPPLY ~ +5V D.C. ±5% @ 50mA MAX.
 OUTPUT ~ AUTODETECTS TO EITHER PS2 OR USB DEPENDENT ON HOST.

ANTI-VANDAL FEATURES

Ø1.5" (38mm) STAINLESS STEEL BALL (POLISHED).
 1.2mm STAINLESS STEEL BALL PROTECTING SHROUD.
 12 SWG STAINLESS STEEL FACIA PLATE (NON-MAGNETIC).
 VANDAL RESISTANT STAINLESS STEEL PUSH BUTTON SWITCHES (IP67).
 3mm STAINLESS STEEL, BALL IMPACT PLATE (10 JOULES).

CONFIDENTIAL

ISSUE	4	5	5A	6	6B	6C	7	7B
DATE	19.3.01	2.5.02	27.11.02	23.4.03	21.9.04	19.1.05	21.1.05	12.10.06
CHANGE	MULTI-ECN	ECN1004	ECN1018	ECN0908	ECN1214	ECN1218	ECN1212	ECN1416

MATERIAL	FINISH	TOL.	SCALE
-	-	±0.5	1:2
			DIMS mm

APP
[Signature]

CHKD
[Signature]

In North America
(800) 741-7755



sales@usmicroproducts.com
www.usmicroproducts.com



DRAWN PRJM
TITLE 1.5" FACIA MOUNTED ANTI-VANDAL TRACKBALL (Tbfd-38-UP2)

DRAWING NUMBER
DS49080



Displays

US Micro Products is an industrial distributor specializing in engineered display solutions. We dedicate ourselves to providing the best in displays for the medical, industrial, gaming, automotive, aerospace, military and consumer markets.

OLEDs



TFT Display



Open Frame Monitors



Passive LCDs



Multitouch



Touch Screen



As our customer, you receive expert knowledge, support and service. Our technical sales staff and experienced design engineers provide answers to your questions and engineered solutions to meet your display needs.

Peripheral Devices

Our full line of peripheral devices includes keyboards, trackballs and printers. These rugged industrial products are designed to meet the rigorous demands of your equipment and are available in a variety of standard and custom options.

Keyboards



Trackballs



Aerospace Trackballs



Printers

