



US Micro Products
Electronic Products for the OEM

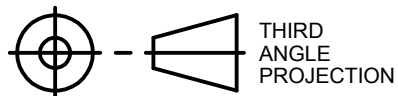
TRACKBALL PRODUCT SPECIFICATION

| | |
|---------------------|---|
| PART NUMBER: | USMP-DS48998 |
| DESCRIPTION: | 50mm (2") Yellow Panel Mounted Autodetects to PS/2 or USB dependent Trackball |

| ISSUE DATE | APPROVED BY (Customer Use Only) | CHECKED BY | PREPARED BY |
|------------------------------|---|------------|-------------|
| | | | |
| PROPRIETARY NOTE: | THIS SPECIFICATION IS THE PROPERTY OF US MICRO PRODUCTS AND SHALL NOT BE REPRODUCED OR COPIED WITHOUT THE WRITTEN PERMISSION OF US MICRO PRODUCTS AND MUST BE RETURNED TO US MICRO PRODUCTS UPON ITS REQUEST. | | |

DRAWING NUMBER
DS48998

DATA SHEET

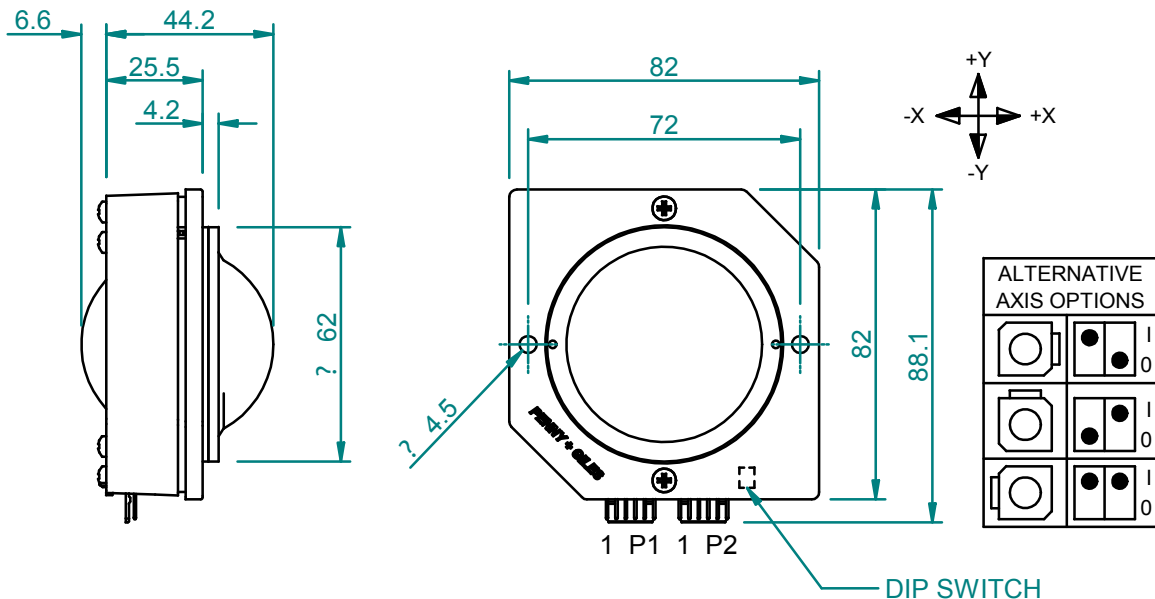


USED ON
X1172

D or
CAT No

M.A/S.A

GA74334



SPECIFICATION

BALL ———— Ø 2.0" PHENOLIC. COLOUR YELLOW.
 CHASSIS ———— FR ABS MOULDED, COLOUR BLACK.
 T/BALL SEAL — NITRILE RUBBER COMPOUND SEAL (REMOVABLE).
 COLOUR BLACK.
 CONNECTOR — 6 WAY, 90° SQUARE PIN HEADER, MOLEX SERIES 5046.
 RESOLUTION ———— 960 PULSES/BALL REV.
 OPERATING TEMP — 0 TO + 50 ° C
 WEIGHT ———— 0.25KG APPROX.
 SUPPLY — +5V DC ± 5% @ 50MA MAX
 OUTPUT — AUTODETECTS TO PS/2 OR USB DEPENDENT ON HOST.

CONNECTION DETAILS

| | |
|---------------------------|----------------------------|
| SWITCH INPUT (P1): | SERIAL OUTPUT (P2): |
| PIN DESCRIPTION | PIN DESCRIPTION |
| 1 0V GND | 1 -D/DATA (USB/PS2) |
| 2 LEFT SWITCH | 2 +D/CLOCK (USB/PS2) |
| 3 0V GND | 3 EARTH GND |
| 4 RIGHT SWITCH | 4 +5V |
| 5 0V GND | 5 0V GND |
| 6 MIDDLE SWITCH | 6 EARTH GND |

CONFIDENTIAL

| | | | | | | |
|--------|------------|--|--|--|--|--|
| ISSUE | 6B | | | | | |
| DATE | 06.11.2007 | | | | | |
| CHANGE | ECN1454 | | | | | |

| | | | |
|----------|--------|------|---------|
| MATERIAL | FINISH | TOL. | SCALE |
| | | ±0.5 | 1:2 |
| | | | DIMS MM |

APP

CHKD

DRAWN
R.HARNETT

TITLE
**2" PANEL MOUNTED
TRACKBALL (TBPJ/50)**

SIZE
A4

DRAWING NUMBER
DS48998

In North America
(800) 741-7755
sales@usmicroproducts.com
www.usmicroproducts.com





US Micro Products

Electronic Products for the OEM

Los Angeles • Austin • New York • Orlando • Shenzhen

(800) 741-7755

www.usmicroproducts.com

Displays

US Micro Products is an industrial distributor specializing in engineered display solutions. We dedicate ourselves to providing the best in displays for the medical, industrial, gaming, automotive, aerospace, military, and consumer markets.

OLEDs



TFT Displays



Open Frame Monitors



Passive LCDs



Multitouch



As a customer, you benefit from our expert knowledge, support and service which allow quick selection and design-in of the best display for your application. On hand stock and demo boards facilitate quick access and evaluation to get you going fast. Our technical sales staff and experienced design engineers provide answers to your questions as well as engineered solutions to solve your display needs.

Peripheral Devices

Our full line of peripheral devices includes keyboards, trackballs, and printers. These rugged industrial products are designed to meet your demanding requirements and are available as both standard and custom solutions.

Keyboards



Trackballs



Aerospace Trackballs



Joysticks



Printers

