



US Micro Products
Electronic Products for the OEM

TRACKBALL PRODUCT SPECIFICATION

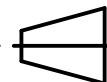
PART NUMBER:	USMP-DS48997
DESCRIPTION:	50mm (2") Panel Mounted, Yellow RS232 level, Microsoft Compatible Trackball

ISSUE DATE	APPROVED BY (Customer Use Only)	CHECKED BY	PREPARED BY
PROPRIETARY NOTE:	THIS SPECIFICATION IS THE PROPERTY OF US MICRO PRODUCTS AND SHALL NOT BE REPRODUCED OR COPIED WITHOUT THE WRITTEN PERMISSION OF US MICRO PRODUCTS AND MUST BE RETURNED TO US MICRO PRODUCTS UPON ITS REQUEST.		

DRAWING NUMBER

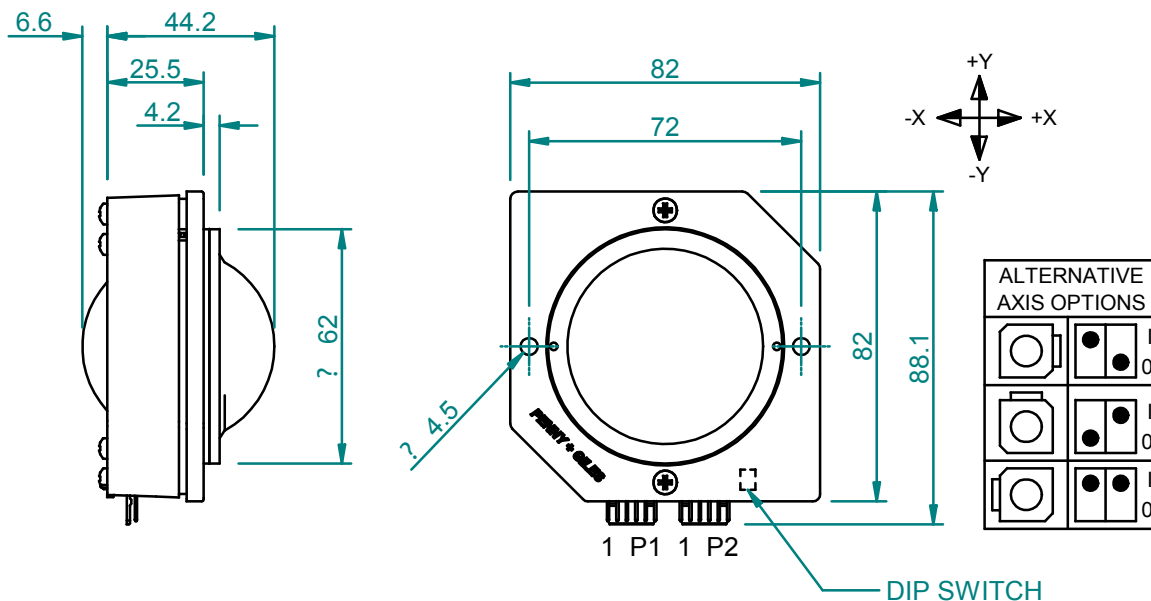
DS48997

DATA SHEET

THIRD
ANGLE
PROJECTIONUSED ON
X1172D or
CAT No

M.A/S.A

GA74334

SPECIFICATION

BALL ———— Ø 2.0" PHENOLIC. COLOUR YELLOW.

CHASSIS ———— FR ABS MOULDED, COLOUR BLACK.

T/BALL SEAL — NITRILE RUBBER COMPOUND SEAL (REMOVABLE).
COLOUR BLACK.

CONNECTOR — 6 WAY, 90° SQUARE PIN HEADER, MOLEX SERIES 5046.

RESOLUTION ———— 960 PULSES/BALL REV.

OPERATING TEMP — 0 TO + 50 ° C

WEIGHT ———— 0.25KG APPROX.

SUPPLY — +5V DC ± 5% @ 50MA MAX

OUTPUT — RS232 LEVEL, MICROSOFT COMPATIBLE.

CONNECTION DETAILS

SWITCH INPUT (P1):

PIN DESCRIPTION

1	0V GND
2	LEFT SWITCH
3	0V GND
4	RIGHT SWITCH
5	0V GND
6	MIDDLE SWITCH

SERIAL OUTPUT (P2):

PIN DESCRIPTION

1	TX
2	N/C
3	BUSY
4	+5V
5	0V GND
6	EARTH GND

CONFIDENTIAL

ISSUE	4A						
DATE	06.11.2007						
CHANGE	ECN1454						
MATERIAL	FINISH		TOL.		SCALE		1:2
			±0.5		DIMS		MM

APP

CHKD

DRAWN

R.HARNETT

TITLE

**2" PANEL MOUNTED
TRACKBALL (TBPJ/50)**

SIZE

A4

DRAWING NUMBER

DS48997

In North America

(800) 741-7755

sales@usmicroproducts.com

www.usmicroproducts.com



US Micro Products
Electronic Products for the OEM

AMETEK
AEROSPACE & DEFENSE



US Micro Products

Electronic Products for the OEM

Los Angeles • Austin • New York • Orlando • Shenzhen

(800) 741-7755

www.usmicroproducts.com

Displays

US Micro Products is an industrial distributor specializing in engineered display solutions. We dedicate ourselves to providing the best in displays for the medical, industrial, gaming, automotive, aerospace, military, and consumer markets.

OLEDs



TFT Displays



Open Frame Monitors



Passive LCDs



Multitouch



As a customer, you benefit from our expert knowledge, support and service which allow quick selection and design-in of the best display for your application. On hand stock and demo boards facilitate quick access and evaluation to get you going fast. Our technical sales staff and experienced design engineers provide answers to your questions as well as engineered solutions to solve your display needs.

Peripheral Devices

Our full line of peripheral devices includes keyboards, trackballs, and printers. These rugged industrial products are designed to meet your demanding requirements and are available as both standard and custom solutions.

Keyboards



Trackballs



Aerospace Trackballs



Joysticks



Printers

