



**US Micro Products**  
*Electronic Products for the OEM*

# TRACKBALL PRODUCT SPECIFICATION

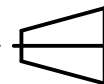
<b>PART NUMBER:</b>	<b>USMP-DS48991</b>
<b>DESCRIPTION:</b>	50mm (2") Panel Mounted TTL Quadrature Track Ball

ISSUE DATE	APPROVED BY (Customer Use Only)	CHECKED BY	PREPARED BY
<b>PROPRIETARY NOTE:</b>	THIS SPECIFICATION IS THE PROPERTY OF US MICRO PRODUCTS AND SHALL NOT BE REPRODUCED OR COPIED WITHOUT THE WRITTEN PERMISSION OF US MICRO PRODUCTS AND MUST BE RETURNED TO US MICRO PRODUCTS UPON ITS REQUEST.		

DRAWING NUMBER

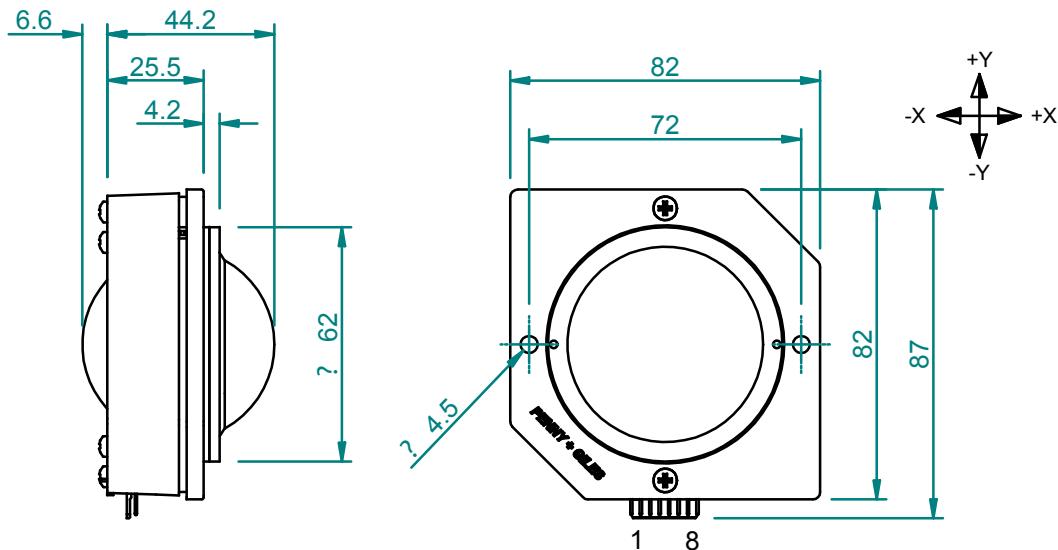
DS48991

## DATA SHEET

THIRD  
ANGLE  
PROJECTIONUSED ON  
X1172D or  
CAT No

M.A/S.A

GA74334

SPECIFICATION

BALL ———— Ø 2.0" PHENOLIC. COLOUR YELLOW.

CHASSIS ———— FR ABS MOULDED, COLOUR BLACK.

T/BALL SEAL — NITRILE RUBBER COMPOUND SEAL (REMOVABLE).  
COLOUR BLACK.

CONNECTOR — 8 WAY, 90° SQUARE PIN HEADER, MOLEX SERIES 5046.

RESOLUTION ———— 960 PULSES/BALL REV.

OPERATING TEMP — 0 TO + 50 ° C

WEIGHT ———— 0.25KG APPROX.

SUPPLY — +5V DC ± 5% @ 50MA MAX

OUTPUT — TTL QUADRATURE.

CONNECTION DETAILS

## PIN DESCRIPTION

1	N/C
2	X CHANNEL A
3	X CHANNEL B
4	N/C
5	Y CHANNEL A
6	Y CHANNEL B
7	+5V
8	0V GROUND

CONFIDENTIAL

ISSUE	5A						
DATE	06.11.2007						
CHANGE	ECN1454						
MATERIAL		FINISH		TOL.	±0.5	SCALE	1:2
APP						DIMS	MM

APP

CHKD

DRAWN

R.HARNETT

TITLE

**2" PANEL MOUNTED  
TRACKBALL (TBPJ/50)**

SIZE

A4

DRAWING NUMBER

DS48991

In North America

(800) 741-7755

sales@usmicroproducts.com

www.usmicroproducts.com





# US Micro Products

*Electronic Products for the OEM*

Los Angeles • Austin • New York • Orlando • Shenzhen

(800) 741-7755

[www.usmicroproducts.com](http://www.usmicroproducts.com)

## Displays

US Micro Products is an industrial distributor specializing in engineered display solutions. We dedicate ourselves to providing the best in displays for the medical, industrial, gaming, automotive, aerospace, military, and consumer markets.

### OLEDs



### TFT Displays



### Open Frame Monitors



### Passive LCDs



### Multitouch



As a customer, you benefit from our expert knowledge, support and service which allow quick selection and design-in of the best display for your application. On hand stock and demo boards facilitate quick access and evaluation to get you going fast. Our technical sales staff and experienced design engineers provide answers to your questions as well as engineered solutions to solve your display needs.

## Peripheral Devices

Our full line of peripheral devices includes keyboards, trackballs, and printers. These rugged industrial products are designed to meet your demanding requirements and are available as both standard and custom solutions.

### Keyboards



### Trackballs



### Aerospace Trackballs



### Joysticks



### Printers

