



**US Micro Products**  
*Electronic Products for the OEM*

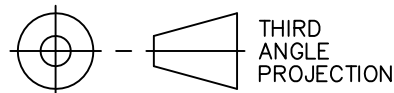
# TRACKBALL PRODUCT SPECIFICATION

<b>PART NUMBER:</b>	<b>USMP-DS48990</b>
<b>DESCRIPTION:</b>	50mm (2") Panel Mounted Trackball with TTL Interface

ISSUE DATE	APPROVED BY (Customer Use Only)	CHECKED BY	PREPARED BY
<b>PROPRIETARY NOTE:</b>	THIS SPECIFICATION IS THE PROPERTY OF US MICRO PRODUCTS AND SHALL NOT BE REPRODUCED OR COPIED WITHOUT THE WRITTEN PERMISSION OF US MICRO PRODUCTS AND MUST BE RETURNED TO US MICRO PRODUCTS UPON ITS REQUEST.		

DRAWING NUMBER  
DS48990

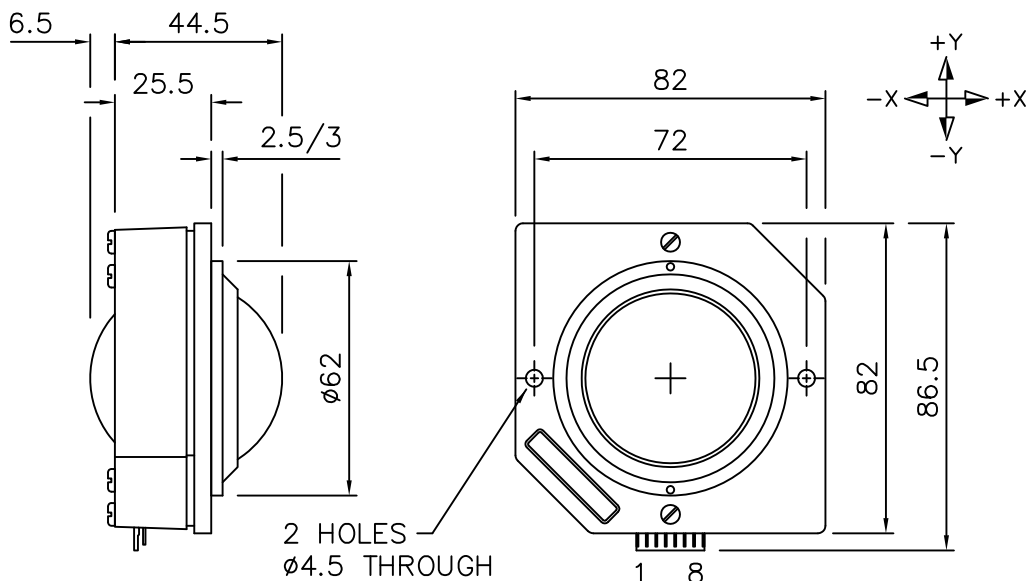
# DATA SHEET



USED ON

D or  
CAT No

M.A/S.A  
GA74334



### SPECIFICATION

- BODY ~ MOULDED RIDGED PLASTIC BODY, COLOUR: BLACK.
- TOP RING ~ A.B.S. BALL RETAINING RING (REMOVABLE).
- BALL ~  $\phi 2.0$ ", COLOUR: YELLOW.
- RESOLUTION ~ 960 EDGES PER BALL REVOLUTION.
- CONNECTOR ~ 8 WAY HEADER, SQUARE PIN, 2.5 PITCH.
- SUPPLY ~ +5V D.C  $\pm 5\%$  @ 50mA MAX.
- OUTPUT ~ TTL QUADRATURE.

### CONNECTION DETAILS

PIN	DESCRIPTION
1	N/C
2	X CHANNEL A
3	X CHANNEL B
4	N/C
5	Y CHANNEL A
6	Y CHANNEL B
7	+5V
8	0V GROUND

**CONFIDENTIAL**

ISSUE	1	1A	2	2A	3	
DATE	10.11.97	23.2.98	24.9.98	27.01.04	16.11.04	
CHANGE	NEW DWG	ECN0700	ECN0739	ECN1061	ECN1152	
MATERIAL	FINISH		TOL.		SCALE	
-	-		$\pm 0.5$		-	
APP	DIMS mm					

APP

CHKD



In North America  
(800) 741-7755  
sales@usmicroproducts.com  
www.usmicroproducts.com



DRAWN  
R.HARNETT

TITLE  
2" TRACKERBALL PANEL  
MOUNTED (TBPJ/50/UQ/QUD)

SIZE  
A4

DRAWING NUMBER  
DS48990



# US Micro Products

*Electronic Products for the OEM*

Los Angeles • Austin • New York • Orlando • Shenzhen

(800) 741-7755

[www.usmicroproducts.com](http://www.usmicroproducts.com)

## Displays

US Micro Products is an industrial distributor specializing in engineered display solutions. We dedicate ourselves to providing the best in displays for the medical, industrial, gaming, automotive, aerospace, military, and consumer markets.

### OLEDs



### TFT Displays



### Open Frame Monitors



### Passive LCDs



### Multitouch



As a customer, you benefit from our expert knowledge, support and service which allow quick selection and design-in of the best display for your application. On hand stock and demo boards facilitate quick access and evaluation to get you going fast. Our technical sales staff and experienced design engineers provide answers to your questions as well as engineered solutions to solve your display needs.

## Peripheral Devices

Our full line of peripheral devices includes keyboards, trackballs, and printers. These rugged industrial products are designed to meet your demanding requirements and are available as both standard and custom solutions.

### Keyboards



### Trackballs



### Aerospace Trackballs



### Joysticks



### Printers

