



US Micro Products
Electronic Products for the OEM

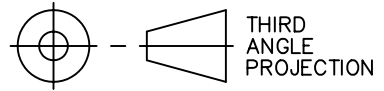
TRACKBALL PRODUCT SPECIFICATION

PART NUMBER:	USMP-DS48977
DESCRIPTION:	50mm (2") Panel Mounted Trackball

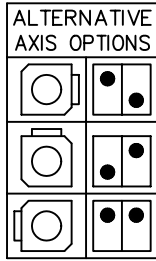
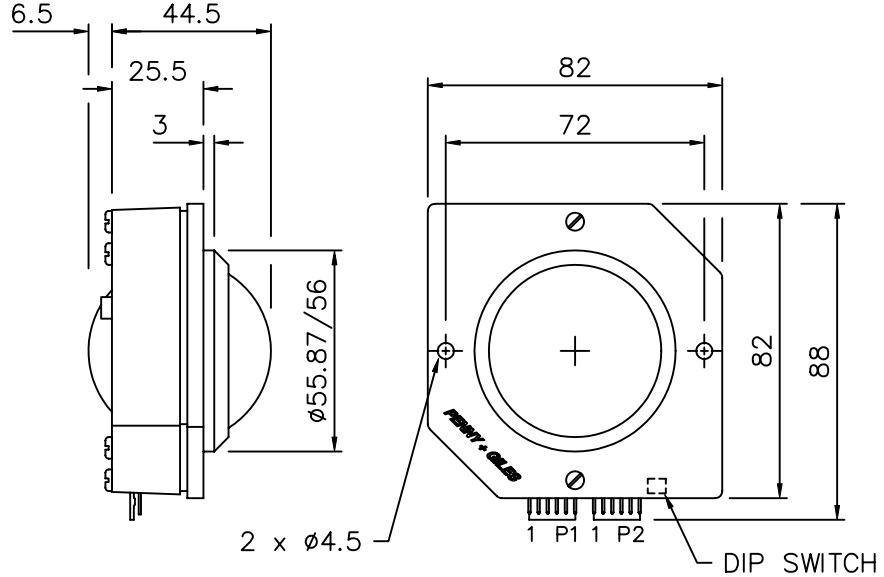
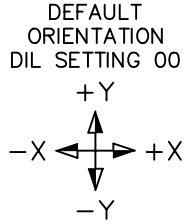
ISSUE DATE	APPROVED BY (Customer Use Only)	CHECKED BY	PREPARED BY
PROPRIETARY NOTE:	THIS SPECIFICATION IS THE PROPERTY OF US MICRO PRODUCTS AND SHALL NOT BE REPRODUCED OR COPIED WITHOUT THE WRITTEN PERMISSION OF US MICRO PRODUCTS AND MUST BE RETURNED TO US MICRO PRODUCTS UPON ITS REQUEST.		

DRAWING NUMBER
DS48977

DATA SHEET



USED ON
X1166



D or
CAT No

M.A./S.A

CONFIDENTIAL

SPECIFICATION

- BODY ~ MOULDED RIDGED PLASTIC BODY, COLOUR: BLACK.
- BALL ~ $\phi 2.0$ ", COLOUR: YELLOW.
- RESOLUTION ~ 960 EDGES PER BALL REVOLUTION.
- CONNECTOR ~ 6 PIN 90° HEADER, 2.5 PITCH, MOLEX 5046 SERIES.
- SUPPLY ~ +5V D.C $\pm 5\%$ @ 50mA MAX.
- OUTPUT ~ UNIT WILL AUTODETECT TO EITHER PS2 OR USB DEPENDENT ON HOST.

CONNECTION DETAILS

PIN	P1: DESCRIPTION	P2: DESCRIPTION
1	0V GND	- DATA/DATA (USB/PS2)
2	LEFT SWITCH	+ DATA/CLOCK (USB/PS2)
3	0V GND	EARTH GROUND
4	RIGHT SWITCH	+5V
5	0V GND	SIGNAL GROUND
6	MIDDLE SWITCH	EARTH GROUND

ISSUE	2	3	4	4A	5	5A
DATE	29.9.98	15.4.02	12.11.02	27.01.04	27.10.04	22.6.06
CHANGE	ECN0739	ECN0992	ECN1004	ECN1061	ECN1152	ECN1357
MATERIAL	FINISH		TOL.		SCALE -	
APP					DIMS mm	

APP
[Signature]

CHKD
[Signature]



US Micro Products
Electronic Products for the OEM

In North America
(800) 741-7755
sales@usmicroproducts.com
www.usmicroproducts.com



DRAWN
R.HARNETT

TITLE
2" PANEL MOUNTED
TRACKERBALL (TBPD/50/UP2)

DRAWING NUMBER
DS48977



US Micro Products

Electronic Products for the OEM

Los Angeles • Austin • New York • Orlando • Shenzhen

(800) 741-7755

www.usmicroproducts.com

Displays

US Micro Products is an industrial distributor specializing in engineered display solutions. We dedicate ourselves to providing the best in displays for the medical, industrial, gaming, automotive, aerospace, military, and consumer markets.

OLEDs



TFT Displays



Open Frame Monitors



Passive LCDs



Multitouch



As a customer, you benefit from our expert knowledge, support and service which allow quick selection and design-in of the best display for your application. On hand stock and demo boards facilitate quick access and evaluation to get you going fast. Our technical sales staff and experienced design engineers provide answers to your questions as well as engineered solutions to solve your display needs.

Peripheral Devices

Our full line of peripheral devices includes keyboards, trackballs, and printers. These rugged industrial products are designed to meet your demanding requirements and are available as both standard and custom solutions.

Keyboards



Trackballs



Aerospace Trackballs



Joysticks



Printers

