



US Micro Products
Electronic Products for the OEM

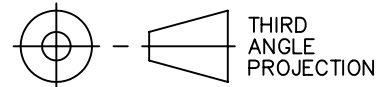
TRACKBALL PRODUCT SPECIFICATION

PART NUMBER:	USMP-DS48975
DESCRIPTION:	50mm (2") RS232 Unsealed Panel Mounted Trackball

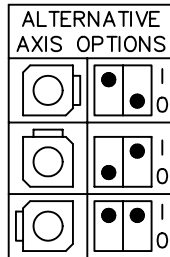
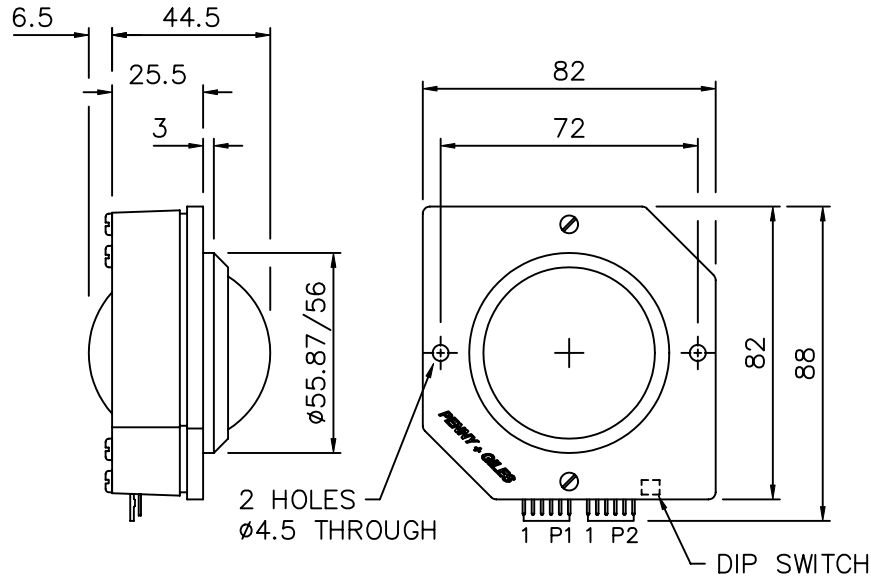
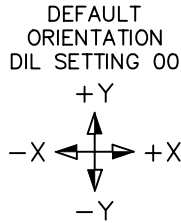
ISSUE DATE	APPROVED BY (Customer Use Only)	CHECKED BY	PREPARED BY
PROPRIETARY NOTE:	THIS SPECIFICATION IS THE PROPERTY OF US MICRO PRODUCTS AND SHALL NOT BE REPRODUCED OR COPIED WITHOUT THE WRITTEN PERMISSION OF US MICRO PRODUCTS AND MUST BE RETURNED TO US MICRO PRODUCTS UPON ITS REQUEST.		

DRAWING NUMBER
DS48975

DATA SHEET



USED ON
X1166



D or
CAT No

M.A./S.A

CONFIDENTIAL

SPECIFICATION

- BODY ~ MOULDED RIDGED PLASTIC BODY, COLOUR: BLACK.
- BALL ~ ø2.0", COLOUR: YELLOW.
- RESOLUTION ~ 960 EDGES PER BALL REVOLUTION.
- CONNECTOR ~ 6 PIN, 90° HEADER, 2.5 PITCH, MOLEX 5046 SERIES.
- SUPPLY ~ +5V D.C ±5% @ 50mA MAX.
- OUTPUT ~ RS232 LEVELS, MICROSOFT COMPATIBLE.

CONNECTION DETAILS

SWITCH INPUT (P1):		SERIAL OUTPUT (P2):	
PIN	DESCRIPTION	PIN	DESCRIPTION
1	0V GND	1	TX
2	LEFT SWITCH	2	N/C
3	0V GND	3	BUSY
4	RIGHT SWITCH	4	+5V
5	0V GND	5	0V GND
6	MIDDLE SWITCH	6	EARTH GND

ISSUE	1	2A	2A	3				
DATE	2.10.97	29.9.98	27.01.04	16.11.04				
CHANGE	NEW DWG	ECN0739	ECN1061	ECN1152				
MATERIAL	-		FINISH	-		TOL.	SCALE -	
							DIMS mm	

APP

CHKD

In North America
(800) 741-7755
sales@usmicroproducts.com
www.usmicroproducts.com



DRAWN
R.HARNETT

TITLE
2" PANEL MOUNTED TRACKERBALL
MICROSOFT (TBPD/50/MSF)

DRAWING NUMBER
DS48975



US Micro Products

Electronic Products for the OEM

Los Angeles • Austin • New York • Orlando • Shenzhen

(800) 741-7755

www.usmicroproducts.com

Displays

US Micro Products is an industrial distributor specializing in engineered display solutions. We dedicate ourselves to providing the best in displays for the medical, industrial, gaming, automotive, aerospace, military, and consumer markets.

OLEDs



TFT Displays



Open Frame Monitors



Passive LCDs



Multitouch



As a customer, you benefit from our expert knowledge, support and service which allow quick selection and design-in of the best display for your application. On hand stock and demo boards facilitate quick access and evaluation to get you going fast. Our technical sales staff and experienced design engineers provide answers to your questions as well as engineered solutions to solve your display needs.

Peripheral Devices

Our full line of peripheral devices includes keyboards, trackballs, and printers. These rugged industrial products are designed to meet your demanding requirements and are available as both standard and custom solutions.

Keyboards



Trackballs



Aerospace Trackballs



Joysticks



Printers

