

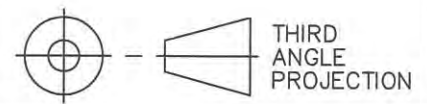


US Micro Products
Electronic Products for the OEM

TRACKBALL PRODUCT SPECIFICATION

PART NUMBER:	USMP-DS48755
DESCRIPTION:	50mm (2") Industrial Desktop Trackball with yellow ball.

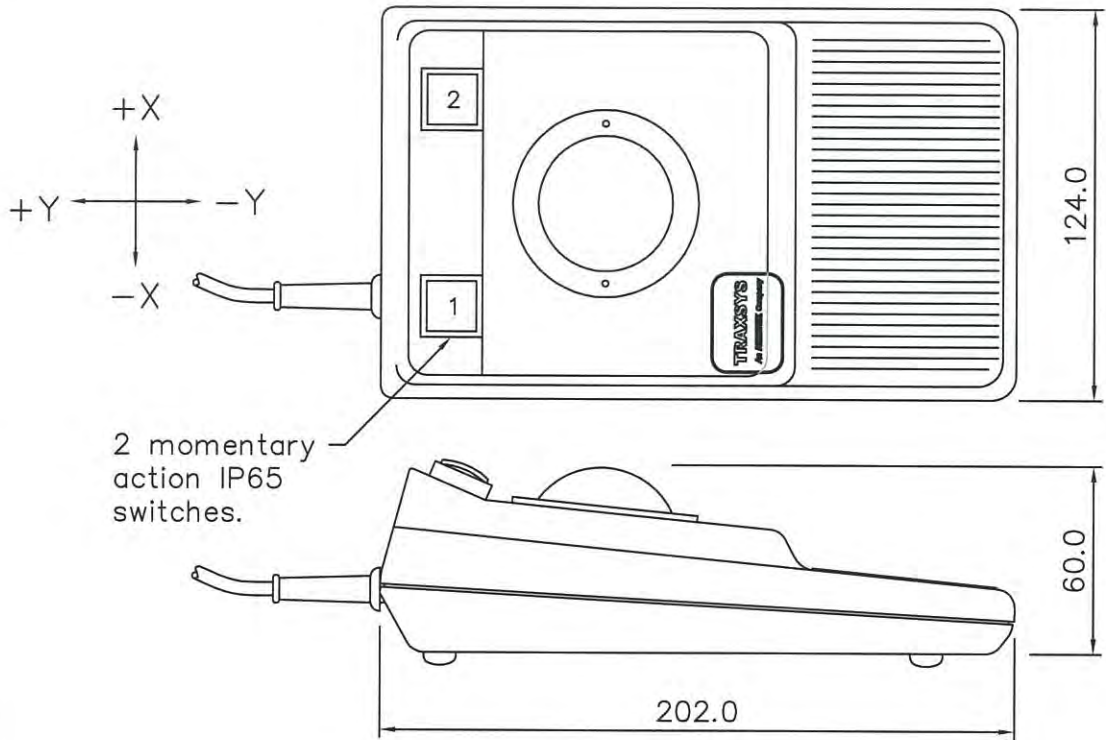
ISSUE DATE	APPROVED BY (Customer Use Only)	CHECKED BY	PREPARED BY
PROPRIETARY NOTE:	THIS SPECIFICATION IS THE PROPERTY OF US MICRO PRODUCTS AND SHALL NOT BE REPRODUCED OR COPIED WITHOUT THE WRITTEN PERMISSION OF US MICRO PRODUCTS AND MUST BE RETURNED TO US MICRO PRODUCTS UPON ITS REQUEST.		



USED ON

D or
CAT No

M.A/S.A



2 momentary
action IP65
switches.

Specification

- Case ~ A.B.S, colour: grey.
- Ball ~ $\phi 2.0$ " colour: yellow.
- Top Ring ~ P.T.F.E. ball seal/restraining ring.
- Cable ~ 1.1 mtrs, pvc sheath, colour: grey.
- Connector ~ 9 way 'D' type socket.
- Supply ~ Line powered from serial port.
- Output ~ Microsoft compatible.

Connection Details

Pin	Description
2	Tx
3	Rx
4	DTR
5	0V gnd
7	RTS
All other pins N/C	

CONFIDENTIAL

ISSUE	1	1A	1B	1C		
DATE	16.2.98	31.10.03	06.10.04	01.03.10		
CHANGE	NEW DWG	ECN0981	ECN1135	ECN1657		
MATERIAL	-		FINISH	-		TOL.
						±1.0
						SCALE
						NTS
						DIMS
						mm

APP

CHKD

In North America
(800) 741-7755
sales@usmicroproducts.com
www.usmicroproducts.com



DRAWN
R.HARNETT

TITLE
PROTECTED DESK TOP
TRACKERBALL (TBDA/50/PL/MSF)

SIZE
A4
DRAWING NUMBER
DS48755



Displays

US Micro Products is an industrial distributor specializing in engineered display solutions. We dedicate ourselves to providing the best in displays for the medical, industrial, gaming, automotive, aerospace, military and consumer markets.

OLEDs



TFT Display



Open Frame Monitors



Passive LCDs



Multitouch



Touch Screen



As our customer, you receive expert knowledge, support and service. Our technical sales staff and experienced design engineers provide answers to your questions and engineered solutions to meet your display needs.

Peripheral Devices

Our full line of peripheral devices includes keyboards, trackballs and printers. These rugged industrial products are designed to meet the rigorous demands of your equipment and are available in a variety of standard and custom options.

Keyboards



Trackballs



Aerospace Trackballs



Printers

