



US Micro Products
Electronic Products for the OEM

TRACKBALL PRODUCT SPECIFICATION

PART NUMBER:	USMP-DS48281-5
DESCRIPTION:	76mm (3") Yellow Phenolic Low Profile Precision, PS2 and USB Compatible Trackball

ISSUE DATE	APPROVED BY (Customer Use Only)	CHECKED BY	PREPARED BY
PROPRIETARY NOTE:	THIS SPECIFICATION IS THE PROPERTY OF US MICRO PRODUCTS AND SHALL NOT BE REPRODUCED OR COPIED WITHOUT THE WRITTEN PERMISSION OF US MICRO PRODUCTS AND MUST BE RETURNED TO US MICRO PRODUCTS UPON ITS REQUEST.		

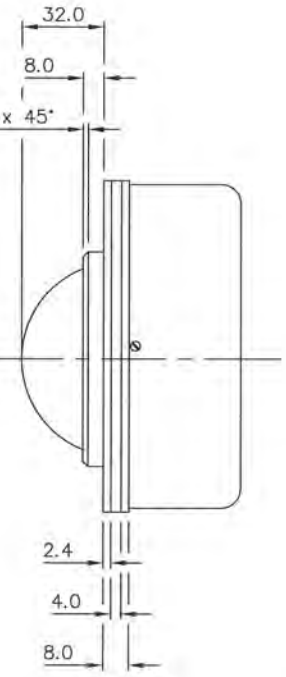
DRAWING NUMBER
DS48281

DATA SHEET



USED ON

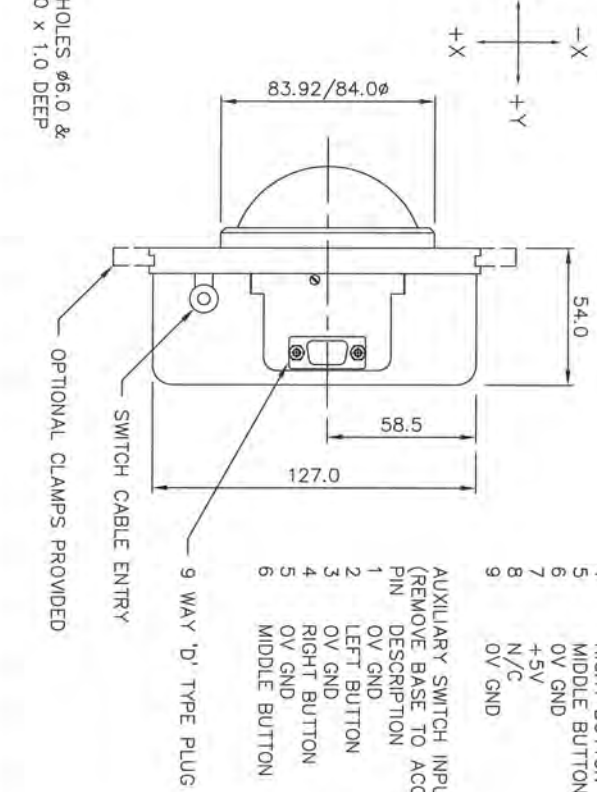
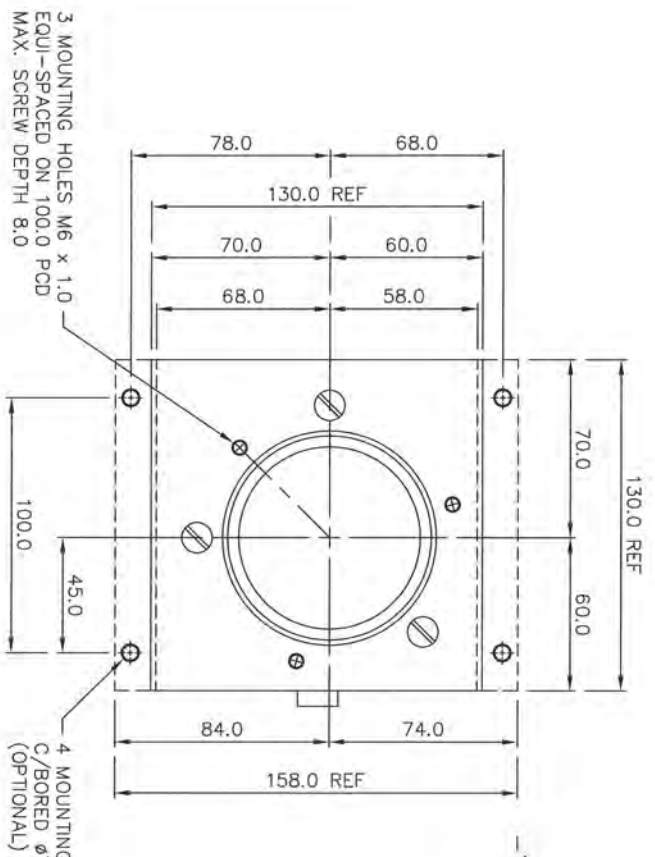
D or CAT.No



SPECIFICATION
 BALL CHASSIS ~ ø3.0" PHENOLIC, COLOUR: YELLOW.
 CHASSIS ~ ALUMINUM ALLOY.
 FINISH: BLACK ANODISE (TOP PLATE), CHROMIC ANODISE (BASE & INT. SECT.).
 RESOLUTION ~ 1000 EDGES PER BALL REV.
 CONNECTOR ~ 9 WAY 'D' TYPE PLUG.
 MASS ~ 1.5KG MAX.
 OP TORQUE ~ 30grms MAX.
 SUPPLY ~ +5V D.C. ±5% @ 180mA MAX.
 OUTPUT ~ AUTO DETECT EITHER PS2 OR USB DEPENDING ON HOST.

G.A:
GA74604

CONFIDENTIAL



CONNECTION DETAILS
 SERIAL OUTPUT (9W 'D' TYPE):
 PIN DESCRIPTION
 PS2 USB
 1 CLOCK + DATA
 2 DATA - DATA
 3 LEFT BUTTON (I/P)
 4 RIGHT BUTTON (I/P)
 5 MIDDLE BUTTON (I/P)
 6 OV GND
 7 +5V
 8 N/C
 9 OV GND

AUXILIARY SWITCH INPUT (CON2):
 (REMOVE BASE TO ACCESS)
 PIN DESCRIPTION
 1 OV GND
 2 LEFT BUTTON
 3 OV GND
 4 RIGHT BUTTON
 5 OV GND
 6 MIDDLE BUTTON

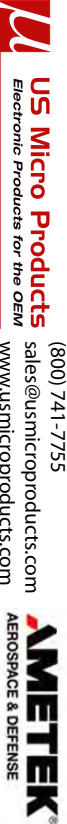
3 MOUNTING HOLES M6 x 1.0 EQUI-SPACED ON 100.0 PCD MAX. SCREW DEPTH 8.0
 4 MOUNTING HOLES ø6.0 & C/BORED ø7.0 x 1.0 DEEP (OPTIONAL)

APP.
CHKD.
DRAWN
R.HARNETT

MATERIAL	FINISH	TOL.	SCALE	DIMMS
-	-	±0.5	1:2	MM

ISSUE	2B	2C	3	3A	4	5	5A	5B
DATE	15.5.96	11.8.97	30.07.99	24.10.03	13.11.03	5.10.06	29.01.07	13.03.07
CHANGE	CH348.5	ECON0621	VARIOUS	ECON0947	ECN1116	ECN1414	ECN1407	ECN1423

In North America
 (800) 741-7755
 sales@usmicropducts.com
 www.usmicropducts.com



TITLE
 LOW PROFILE 3" TRACKERBALL
 PS2 AND USB COMPATIBLE

SIZE
 DRAWING NUMBER
 DS48281

DESIGN COPYRIGHT RESERVED

DP(10) 01.06.04



Displays

US Micro Products is an industrial distributor specializing in engineered display solutions. We dedicate ourselves to providing the best in displays for the medical, industrial, gaming, automotive, aerospace, military and consumer markets.

OLEDs



TFT Display



Open Frame Monitors



Passive LCDs



Multitouch



Touch Screen



As our customer, you receive expert knowledge, support and service. Our technical sales staff and experienced design engineers provide answers to your questions and engineered solutions to meet your display needs.

Peripheral Devices

Our full line of peripheral devices includes keyboards, trackballs and printers. These rugged industrial products are designed to meet the rigorous demands of your equipment and are available in a variety of standard and custom options.

Keyboards



Trackballs



Aerospace Trackballs



Printers

