



**US Micro Products**  
*Electronic Products for the OEM*

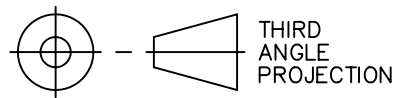
# TRACKBALL PRODUCT SPECIFICATION

<b>PART NUMBER:</b>	<b>USMP-DS48280</b>
<b>DESCRIPTION:</b>	76mm (3") Yellow Precision Trackball RS232 Levels, Format 22 (Microsoft), 1200 Baud Output

ISSUE DATE	APPROVED BY (Customer Use Only)	CHECKED BY	PREPARED BY
<b>PROPRIETARY NOTE:</b>	THIS SPECIFICATION IS THE PROPERTY OF US MICRO PRODUCTS AND SHALL NOT BE REPRODUCED OR COPIED WITHOUT THE WRITTEN PERMISSION OF US MICRO PRODUCTS AND MUST BE RETURNED TO US MICRO PRODUCTS UPON ITS REQUEST.		

DRAWING NUMBER  
DS48280

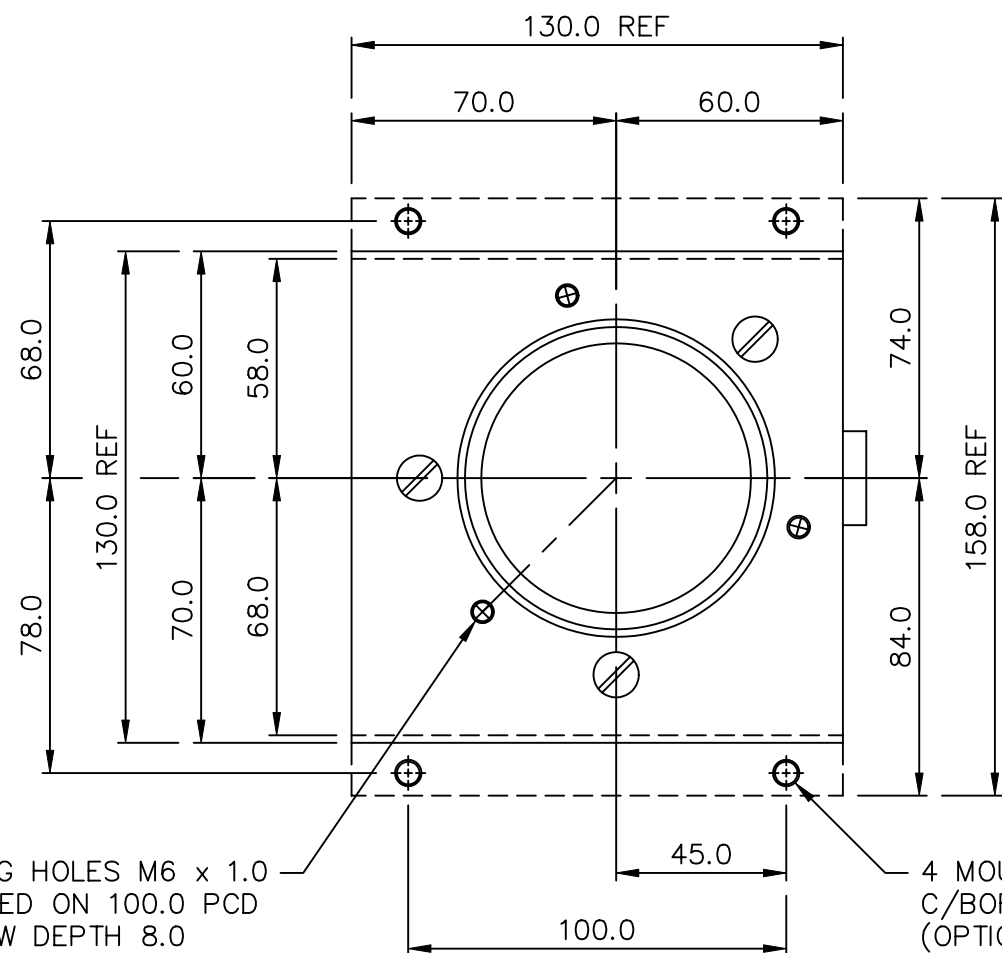
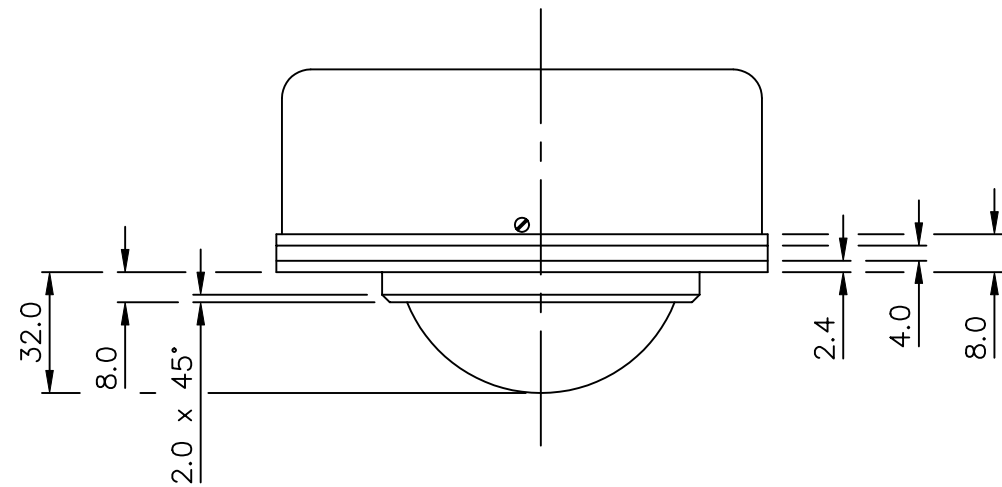
DATA SHEET



USED ON

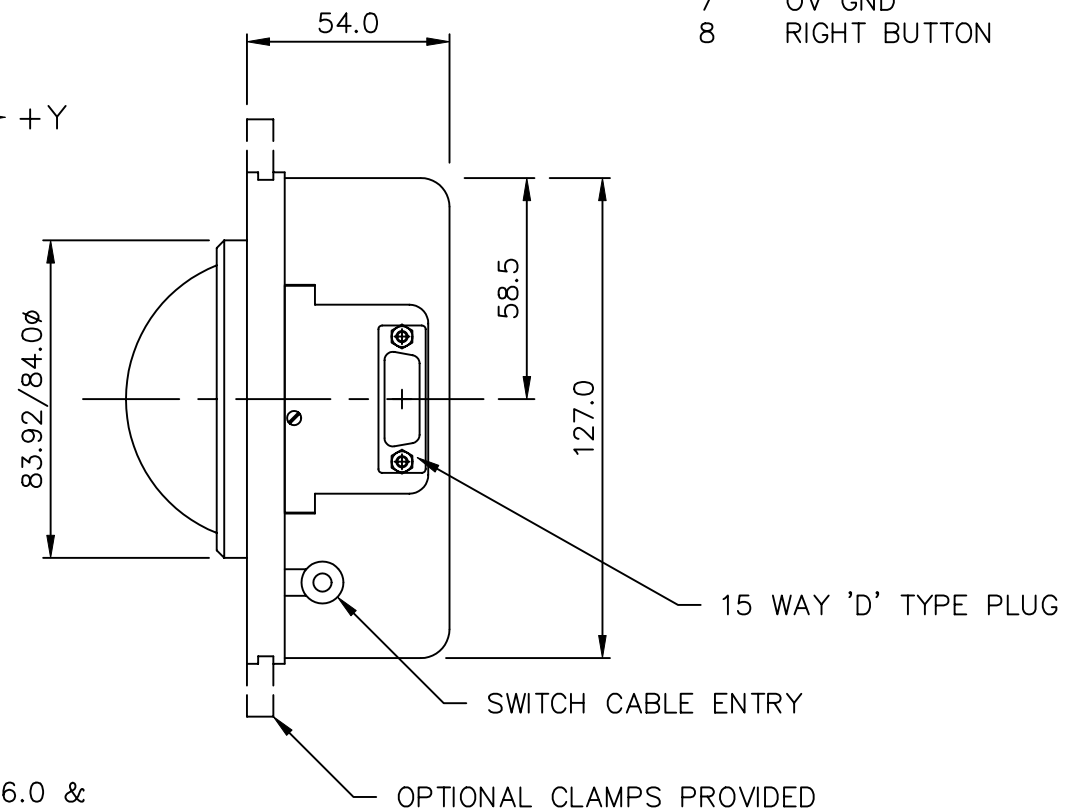
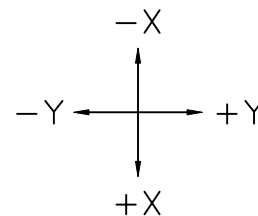
D or  
CAT.No

G.A.



3 MOUNTING HOLES M6 x 1.0  
EQUI-SPACED ON 100.0 PCD  
MAX. SCREW DEPTH 8.0

4 MOUNTING HOLES  $\phi$ 6.0 &  
C/BORED  $\phi$ 7.0 x 1.0 DEEP  
(OPTIONAL)



SPECIFICATION

BALL ~  $\phi$ 3.0" PHENOLIC, COLOUR: YELLOW.  
CHASSIS ~ ALUMINUM ALLOY.  
FINNISH: BLACK ANODISE (TOP PLATE),  
CHROMIC ANODISE (BASE & INT. SECT.).  
RESOLUTION ~ 1000 EDGES PER BALL REV.  
CONNECTOR ~ 15 WAY 'D' TYPE PLUG.  
MASS ~ 1.5Kg MAX.  
OP TORQUE ~ 30grms MAX.  
SUPPLY ~ +5V D.C  $\pm$ 5% @ 50mA MAX.  
OUTPUT ~ RS232 LEVELS, FORMAT 22 (MICROSOFT),  
1200 BAUD.

CONNECTION DETAILS

SERIAL OUTPUT:  
PIN DESCRIPTION  
3 +5V D.C  
4 TX  
6 RX  
10 CTS (BUSY)  
13 OV GND  
ALL OTHER PINS N/C

SWITCH INPUT (CON5):  
PIN DESCRIPTION  
1 OV GND  
2 NOT AVAILABLE  
3 OV GND  
4 LEFT BUTTON  
5 OV GND  
6 MIDDLE BUTTON  
7 OV GND  
8 RIGHT BUTTON

CONFIDENTIAL

APP.	MATERIAL	FINISH	TOL.	SCALE 1:2	ISSUE	3	3A	3B	3C	4	4A	4B	5	
	-	-	$\pm$ 0.5	DIMNS MM	DATE	19.10.94	15.2.96	15.5.96	15.5.97	4.2.98	18.2.98	24.10.03	9.7.07	
CHKD.					CHANGE	CH224.7	CH224.10	CH224.11	ECN0621	ECN0641	ECN0698	ECN0947	ECN1414	
DRAWN R.HARNETT	<p>US Micro Products Electronic Products for the OEM</p> <p>In North America (800) 741-7755 sales@usmicroproducts.com www.usmicroproducts.com</p> <p>AMETEK AEROSPACE &amp; DEFENSE</p>				TITLE	LOW PROFILE 3" TRACKERBALL (RS232 SERIAL)			SIZE	A3	DRAWING NUMBER			DS48280



# US Micro Products

*Electronic Products for the OEM*

Los Angeles • Austin • New York • Orlando • Shenzhen

(800) 741-7755

[www.usmicroproducts.com](http://www.usmicroproducts.com)

## Displays

US Micro Products is an industrial distributor specializing in engineered display solutions. We dedicate ourselves to providing the best in displays for the medical, industrial, gaming, automotive, aerospace, military, and consumer markets.

### OLEDs



### TFT Displays



### Open Frame Monitors



### Passive LCDs



### Multitouch



As a customer, you benefit from our expert knowledge, support and service which allow quick selection and design-in of the best display for your application. On hand stock and demo boards facilitate quick access and evaluation to get you going fast. Our technical sales staff and experienced design engineers provide answers to your questions as well as engineered solutions to solve your display needs.

## Peripheral Devices

Our full line of peripheral devices includes keyboards, trackballs, and printers. These rugged industrial products are designed to meet your demanding requirements and are available as both standard and custom solutions.

### Keyboards



### Trackballs



### Aerospace Trackballs



### Joysticks



### Printers

