



**US Micro Products**  
*Electronic Products for the OEM*

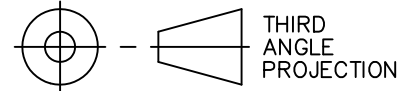
# TRACKBALL PRODUCT SPECIFICATION

<b>PART NUMBER:</b>	<b>USMP-DS509365</b>
<b>DESCRIPTION:</b>	50mm (2") Yellow Panel Mounted Autodetects to PS/2 or USB dependent Trackball

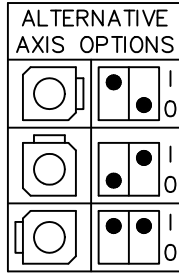
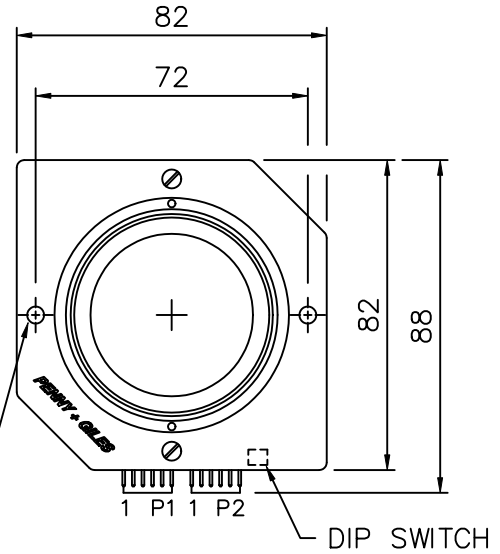
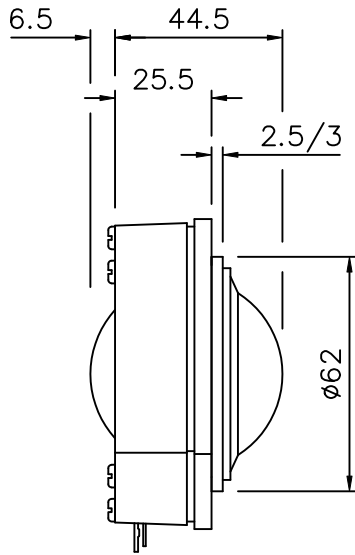
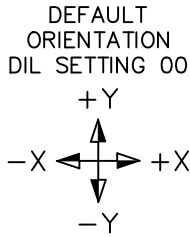
ISSUE DATE	APPROVED BY (Customer Use Only)	CHECKED BY	PREPARED BY
<b>PROPRIETARY NOTE:</b>	THIS SPECIFICATION IS THE PROPERTY OF US MICRO PRODUCTS AND SHALL NOT BE REPRODUCED OR COPIED WITHOUT THE WRITTEN PERMISSION OF US MICRO PRODUCTS AND MUST BE RETURNED TO US MICRO PRODUCTS UPON ITS REQUEST.		

DRAWING NUMBER  
DS509365

DATA SHEET



USED ON



D or  
CAT No

M.A/S.A

CONFIDENTIAL

SPECIFICATION

- BODY ~ MOULDED RIDGED PLASTIC BODY, COLOUR: BLACK.
- BALL SEAL ~ P.T.F.E. BALL SEAL/RESTRAINING RING (REMOVABLE).
- BALL ~  $\phi 2.0$ ", COLOUR: YELLOW.
- RESOLUTION ~ 960 EDGES PER BALL REVOLUTION.
- CONNECTOR ~ 6 PIN, 90° HEADER, 2.5 PITCH, MOLEX 5046 SERIES.
- SUPPLY ~ +5V D.C  $\pm 5\%$  @ 50mA MAX.
- OUTPUT ~ UNIT WILL AUTODETECT TO EITHER PS2 OR USB DEPENDENT ON HOST.

CONNECTION DETAILS

SWITCH INPUT (P1):

PIN	DESCRIPTION
1	0V GND
2	LEFT SWITCH
3	0V GND
4	RIGHT SWITCH
5	0V GND
6	MIDDLE SWITCH

SERIAL OUTPUT (P2):

PIN	DESCRIPTION
1	- DATA/DATA (USB/PS2)
2	+ DATA/CLOCK (USB/PS2)
3	EARTH GROUND
4	+5V
5	SIGNAL GROUND
6	EARTH GROUND

ISSUE	1	1A					
DATE	8.11.04	23.6.06					
CHANGE	NEW DRG	ECN1357					
MATERIAL	-		FINISH	-		TOL.	SCALE -
						$\pm 0.5$	DIMS mm

APP

CHKD

In North America  
(800) 741-7755



sales@usmicroproducts.com  
www.usmicroproducts.com



DRAWN  
R.HARNETT

TITLE  
2" PANEL MOUNTED TRACKERBALL  
P.T.F.E. LIP SEAL (TBPJ/50/UP2)

SIZE  
A4

DRAWING NUMBER  
DS509365



# US Micro Products

*Electronic Products for the OEM*

Los Angeles • Austin • New York • Orlando • Shenzhen

(800) 741-7755

[www.usmicroproducts.com](http://www.usmicroproducts.com)

## Displays

US Micro Products is an industrial distributor specializing in engineered display solutions. We dedicate ourselves to providing the best in displays for the medical, industrial, gaming, automotive, aerospace, military, and consumer markets.

### OLEDs



### TFT Displays



### Open Frame Monitors



### Passive LCDs



### Multitouch



As a customer, you benefit from our expert knowledge, support and service which allow quick selection and design-in of the best display for your application. On hand stock and demo boards facilitate quick access and evaluation to get you going fast. Our technical sales staff and experienced design engineers provide answers to your questions as well as engineered solutions to solve your display needs.

## Peripheral Devices

Our full line of peripheral devices includes keyboards, trackballs, and printers. These rugged industrial products are designed to meet your demanding requirements and are available as both standard and custom solutions.

### Keyboards



### Trackballs



### Aerospace Trackballs



### Joysticks



### Printers

