



US Micro Products
Electronic Products for the OEM

AMOLED PRODUCT SPECIFICATION

Manufactured By



奇晶光電股份有限公司
CHI MEI EL CORPORATION

PART NUMBER:	USMP-A43480
DESCRIPTION:	4.3", 480 x RGB x 272, 16M Full Color, HX5116 IC, COG Assembly

ISSUE DATE	APPROVED BY (Customer Use Only)	CHECKED BY	PREPARED BY
PROPRIETARY NOTE:	THIS SPECIFICATION IS THE PROPERTY OF US MICRO PRODUCTS AND SHALL NOT BE REPRODUCED OR COPIED WITHOUT THE WRITTEN PERMISSION OF US MICRO PRODUCTS AND MUST BE RETURNED TO US MICRO PRODUCTS UPON ITS REQUEST.		



Reversion History

Version	Date	Page	Description
Ver.1.0	2007/12/26	All	Tentative specification was first issued
Ver.1.1	2008/03/19	10,11,12	Add IC Initial Register Setting
		15,16,17	Modify Pin Assignment
		18	Change External Dimension
Ver.1.2	2008/04/08	10	Change Typical Luminance
		14	Add System Diagram
		19	Add Reliability Test
		20	Add Package Drawing



1. Purpose:

This documentation defines general product specification for OLED module supplied by CMEL. The information described in this technical specification is tentative. Please Contact CMEL's representative while your product is modified.

2. General Description:

- Driving Mode: Active Matrix
- Color Mode: Full Color (16M color)
- Driver IC: HX5116, COG Assembly
- Interface:
8bit serial RGB and 24bit parallel RGB interface
- Application: Portable DVD, PMP, GPS, Photo Frame etc.

3. Mechanical Data:

No.	Items	Specification	Unit
1	Diagonal Size	4.3	Inch
2	Resolution	480 RGB x 272	
3	Pixel Pitch	H: 0.198 V: 0.198	um
4	Active Area	95.0 x 53.8	mm
5	Outline Area	103.5 x 67	mm
6	Thickness	2.05	mm
7	Weight	TBD	g



4. Maximum ratings:

Symbol	Parameter	Value	Unit
VCC	Logic Supply Voltage	-0.3 to +3.6	V
VCI	Analog Supply Voltage	-0.3 to +3.6	V
TA	Operating Temperature	-20 to +60	°C
Tstg	Storage Temperature	-40 to +85	°C

Table 7.1 Maximum ratings

Maximum ratings are those values beyond which damages to the device may occur. Functional operation should be restricted to the limits in the Electrical Characteristics tables or Pin Description section. Unused outputs must be left open.

5. Electrical Characteristic:

5.1 DC Characteristic

DC Characteristics

(Unless otherwise specified, Voltage Referenced to VSS = 0V, VCC = 1.5 to 3.6V, T_A = -20 to 70C)

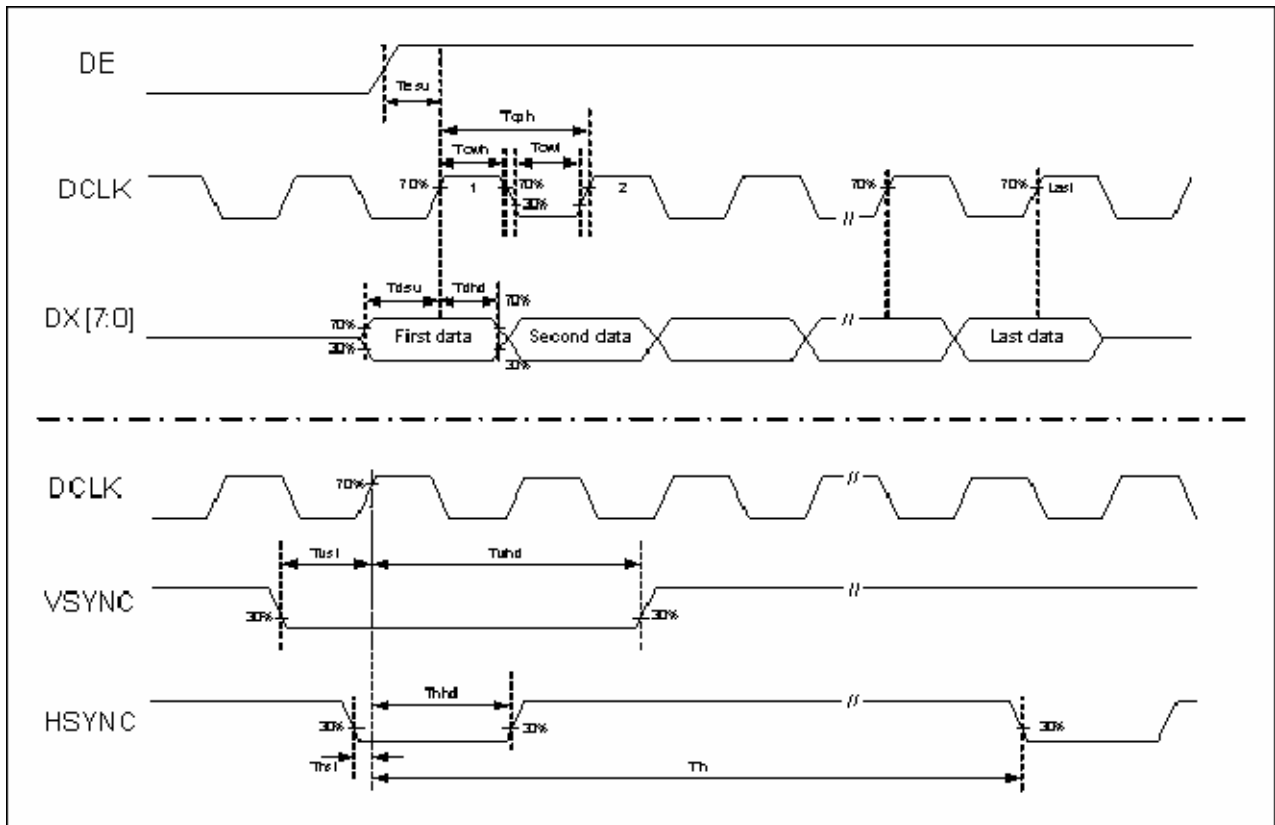
Parameter	Symbol	Test condition	Min.	Typ.	Max.	Unit
System power supply pins of the logic block	VCC	-	1.5	-	3.6	V
Booster Reference Supply Voltage Range	VCI	-	3.0	-	3.6	V
DDVDH Output Voltage 1	DDVDH	Set CP1X=0	4.9	5.1	5.3	V
DDVDH Output Voltage 2	DDVDH	Set CP1X=1	5.8	6.0	6.2	V
VGAM1OUT Output Voltage 1	VGAM1OUT	Set CP1X=0	4.7	4.8	4.9	V
VGAM1OUT Output Voltage 2	VGAM1OUT	Set CP1X=1	5.7	5.8	5.9	V
Gate driver High Output Voltage	VGH	-	+3	-	+8	V
Gate driver Low Output Voltage	VGL	-	-8	-	-3	V
OLED Diode Refer Voltage	ARREF	-	-8	-	+8	V
Logic High Output Voltage	VOH	I _{out} =-400μA	0.8 * VCC	-	VCC	V
Logic Low Output Voltage	VOL	I _{out} =400μA	0	-	0.2 * VCC	V
Logic High Input voltage	VIH	-	0.8 * VCC	-	VCC	V
Logic Low Input voltage	VIL		0	-	0.2 * VCC	V
Logic Input Current	IIL/IIH	No pull up or pull low	-1	-	1	μA
Pull high resistance	RH	Pull up pins	600	900	1200	KΩ
Pull low resistance	RL	Pull low pins	600	900	1200	KΩ
High Output Current	IOH	S1~S107, V _o =4.9V vs. 4V	50	-	-	μA
Low Output Current	IOL	S1~S107, V _o =0.1V vs. 1V	-	-	-50	μA
Output leakage Current	IOZ	-	-1	-	1	μA
Output voltage offset	VOS	S1~S107, V _o =0.1V~DDVDH-0.1V		±10		mV
Output voltage deviation	VOD	S1~S107, V _o =0.1V~DDVDH-0.1V		±10		mV
Analog standby current	ISTB	VCI=3.0V, Stand by mode		-	10	uA
Analog operating current	IVCI	VCI=3.0V, S1~S160 no load		TBD		mV
Analog operating current	IVCI	VCI=3.0V, S1~S160 no load		TBD		mV
Logic Pins Input Capacitance	CIN	-	-	5	7.5	pF



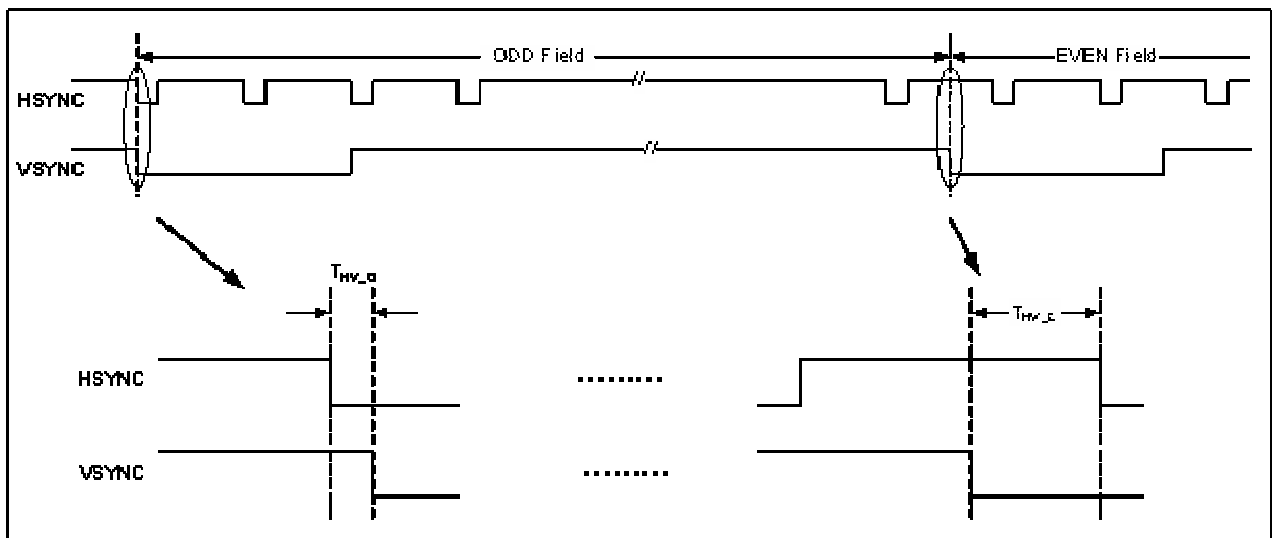
5.2 AC Characteristic

5.2.1 AC Electrical Characteristics

PARAMETER	Symbol	Min.	Typ.	Max.	Unit
HSYNC setup time	T_{hst}	10	-	-	ns
HSYNC hold time	T_{hhd}	10	-	-	ns
VSYNC setup time	T_{vst}	10	-	-	ns
VSYNC hold time	T_{vhd}	10	-	-	ns
Data setup time	T_{dsu}	10	-	-	ns
Data hold time	T_{dhd}	10	-	-	ns
DE setup time	T_{esu}	10	-	-	ns
VSYNC falling to HSYNC falling time on odd field @ RGB mode	T_{HV_O}	-4	0	+4	T_{CPH}
VSYNC falling to HSYNC falling time on even field @ RGB mode	T_{HV_E}	0.4	0.5	0.6	T_H
Source output settling time	T_{ST}	-	3	-	μs
Source output loading R	R_{SL}	-	25	-	K ohm
Source output loading C	C_{SL}	-	16	-	pF
Gate signals settling time (90%)	T_{GL}	-	0.5	-	μs
Gate signals loading R	R_{GL}	-	5.6	-	K ohm
Gate signals loading C	C_{GL}	-	30	-	pF
SW signals settling time (90%)	T_{SW}	-	0.6	-	μs
SW signals loading R	R_{SW}	-	1.4	-	K ohm
SW signals loading C	C_{SW}	-	85.5	-	pF



Clock and Data input waveforms



Define the HSYNC to VSYNC timing for RGB mode

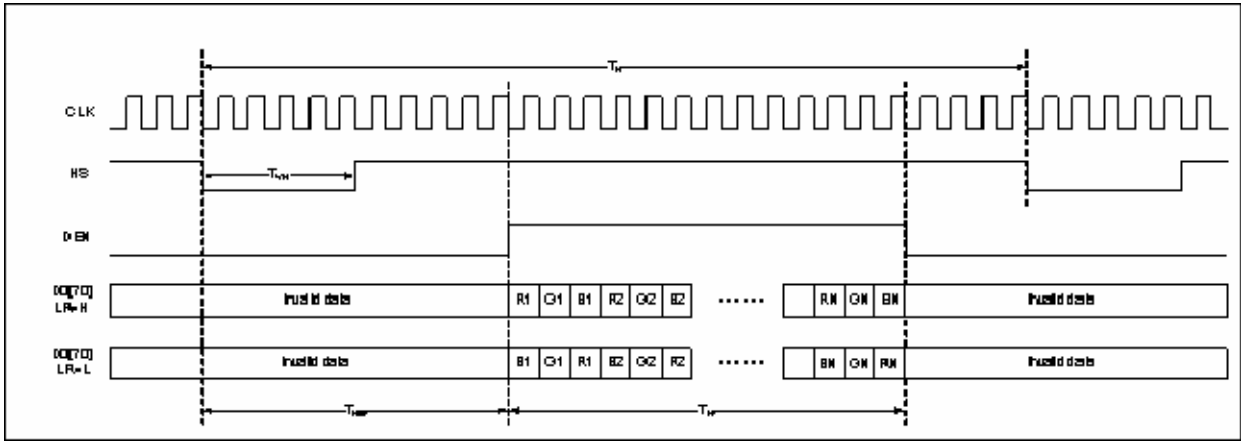


5.2.2 480RGB X 272 serial RGB interface

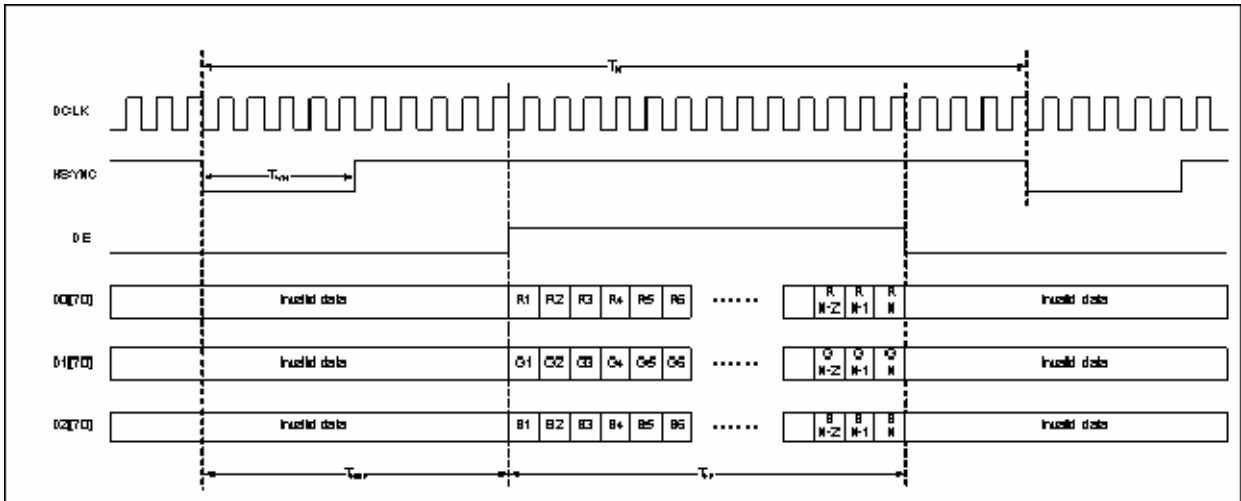
PARAMETER	Symbol	Min.	Typ.	Max.	Unit
DCLK frequency	F_{CPH}	33.3	-	-	MHz
DCLK period	T_{CPH}	-	-	30	ns
DCLK pulse duty	T_{CWH}	40	50	60	%
HSYNC period	T_H	-	1836	-	T_{CPH}
HSYNC pulse width	T_{WH}	5	90	-	T_{CPH}
HSYNC-first horizontal data time	T_{HBP}	274	306	337	T_{CPH}
DE pulse width	T_{EP}	-	1440	-	T_{CPH}
VSYNC pulse width	T_{WV}	1	3	5	T_H
VSYNC-1 st Data input (DE) time	T_{VBP}	4	20	35	T_H
VSYNC period	T_V	302	-	-	T_H

5.2.2 480RGB X 272 parallel RGB interface

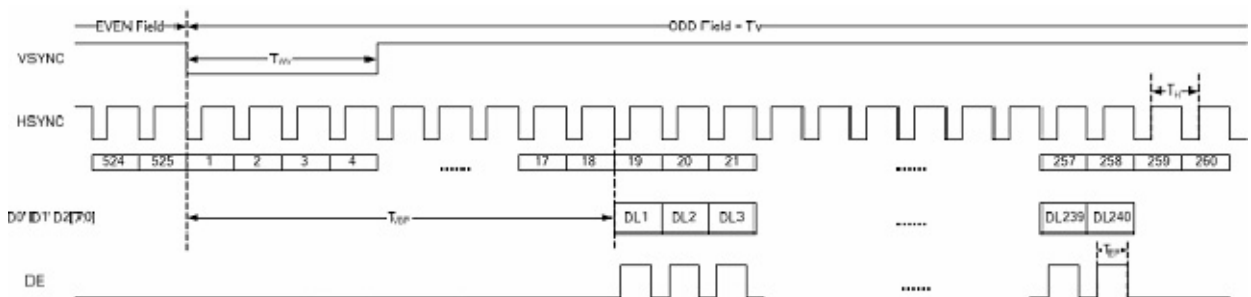
PARAMETER	Symbol	Min.	Typ.	Max.	Unit
DCLK frequency	F_{CPH}	11.1	-	-	MHz
DCLK period	T_{CPH}	-	-	90	ns
DCLK pulse duty	T_{CWH}	40	50	60	%
HSYNC period	T_H	-	612	-	T_{CPH}
HSYNC pulse width	T_{WH}	5	30	-	T_{CPH}
HSYNC-first horizontal data time	T_{HBP}	70	102	133	T_{CPH}
DE pulse width	T_{EP}	-	480	-	T_{CPH}
VSYNC pulse width	T_{WV}	1	3	5	T_H
VSYNC-1 st Data input (DE) time	T_{VBP}	4	20	35	T_H
VSYNC period	T_V	302	-	-	T_H



Serial RGB Horizontal Data Format



Parallel RGB Horizontal Data Format



Digital RGB Vertical Data Format

6. Electro-Optical Characteristic:

Items	Symbol	Min	Typ.	Max	Unit	Remark
Operating Luminance	L		200		Cd/m ²	(1)(5)
Power Consumption	Pon			640	mW	30% pixels on (1)
Response Time	Tres			50	uS	(2)
CIE _x (White)	W _x		0.31		-	(5)
CIE _y (White)	W _y		0.33		-	(5)
Viewing Angle	VA	160	170		Degree	(3)
Contrast	CR	5000:1	10000:1			(4)
Operation Lifetime	LTop	20000			Hrs	(1)(6)

Note:

Measuring surrounding: dark room

Surrounding temperature: 25°C

1. Test condition:

a. AR_VDD= 5V +/-0.03V, AR_VSS= -5V +/-0.03V

b. IC Initial Register Setting:

24-bit parallel RGB (DE)	
Index_out(0x04);	Parameter_out(0x23); //set display mode 24-bit parallel RGB (DE)
Index_out(0x05);	Parameter_out(0x82); //set display mode
Index_out(0x07);	Parameter_out(0x0F); //set driver capability
Index_out(0x34);	Parameter_out(0x18); //set display timing
Index_out(0x35);	Parameter_out(0x28); //set display timing
Index_out(0x36);	Parameter_out(0x16); //set display timing
Index_out(0x37);	Parameter_out(0x01); //set display timing
Index_out(0x02);	Parameter_out(0x02); //OTP On
Index_out(0x0A);	Parameter_out(0xBB); //VGHVGL=+/-6V
Index_out(0x09);	Parameter_out(0x24); //VGAM1OUT=4.92V
Index_out(0x10);	Parameter_out(0x7B); //set R slop
Index_out(0x11);	Parameter_out(0x7D); //set G slop
Index_out(0x12);	Parameter_out(0x79); //set B slop
Index_out(0x13);	Parameter_out(0x00); //set R_0



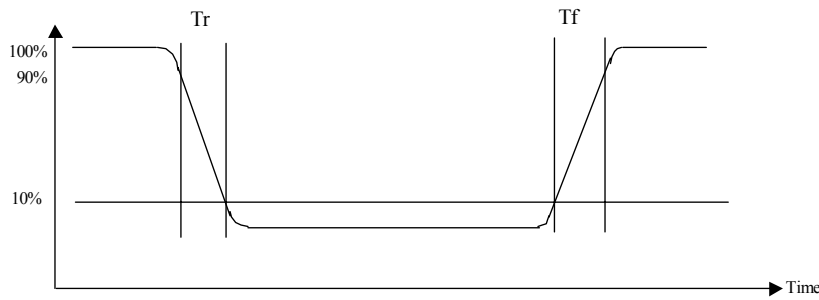
Index_out(0x14); Parameter_out(0x03); //set R_10
Index_out(0x15); Parameter_out(0x04); //set R_36
Index_out(0x16); Parameter_out(0x03); //set R_80
Index_out(0x17); Parameter_out(0x03); //set R_124
Index_out(0x18); Parameter_out(0x03); //set R_168
Index_out(0x19); Parameter_out(0x03); //set R_212
Index_out(0x1A); Parameter_out(0x08); //set R_255
Index_out(0x1B); Parameter_out(0x00); //set G_0
Index_out(0x1C); Parameter_out(0x06); //set G_10
Index_out(0x1D); Parameter_out(0x05); //set G_36
Index_out(0x1E); Parameter_out(0x03); //set G_80
Index_out(0x1F); Parameter_out(0x03); //set G_124
Index_out(0x20); Parameter_out(0x03); //set G_168
Index_out(0x21); Parameter_out(0x03); //set G_212
Index_out(0x22); Parameter_out(0x04); //set G_255
Index_out(0x23); Parameter_out(0x00); //set G_0
Index_out(0x24); Parameter_out(0x06); //set B_10
Index_out(0x25); Parameter_out(0x07); //set B_36
Index_out(0x26); Parameter_out(0x07); //set B_80
Index_out(0x27); Parameter_out(0x06); //set B_124
Index_out(0x28); Parameter_out(0x04); //set B_168
Index_out(0x29); Parameter_out(0x03); //set B_212
Index_out(0x2A); Parameter_out(0x04); //set B_255
Index_out(0x06); Parameter_out(0x03); //set display on
AR_VDD= +5V
AR_VSS= -5V

8-bit serial RGB (DE)
Index_out(0x04); Parameter_out(0x21); //set display mode 8-bit serial RGB (DE)
Index_out(0x05); Parameter_out(0x82); //set display mode
Index_out(0x07); Parameter_out(0x0F); //set driver capability
Index_out(0x34); Parameter_out(0x48); //set display timing
Index_out(0x35); Parameter_out(0x78); //set display timing
Index_out(0x36); Parameter_out(0x42); //set display timing
Index_out(0x37); Parameter_out(0x01); //set display timing
Index_out(0x02); Parameter_out(0x02); //OTP On

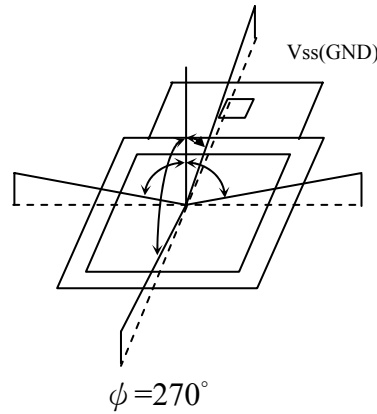


Index_out(0x0A);	Parameter_out(0xBB); //VGHVGL=+/-6V
Index_out(0x09);	Parameter_out(0x24); //VGAM1OUT=4.92V
Index_out(0x10);	Parameter_out(0x7B); //set R slop
Index_out(0x11);	Parameter_out(0x7D); //set G slop
Index_out(0x12);	Parameter_out(0x79); //set B slop
Index_out(0x13);	Parameter_out(0x00); //set R_0
Index_out(0x14);	Parameter_out(0x03); //set R_10
Index_out(0x15);	Parameter_out(0x04); //set R_36
Index_out(0x16);	Parameter_out(0x03); //set R_80
Index_out(0x17);	Parameter_out(0x03); //set R_124
Index_out(0x18);	Parameter_out(0x03); //set R_168
Index_out(0x19);	Parameter_out(0x03); //set R_212
Index_out(0x1A);	Parameter_out(0x08); //set R_255
Index_out(0x1B);	Parameter_out(0x00); //set G_0
Index_out(0x1C);	Parameter_out(0x06); //set G_10
Index_out(0x1D);	Parameter_out(0x05); //set G_36
Index_out(0x1E);	Parameter_out(0x03); //set G_80
Index_out(0x1F);	Parameter_out(0x03); //set G_124
Index_out(0x20);	Parameter_out(0x03); //set G_168
Index_out(0x21);	Parameter_out(0x03); //set G_212
Index_out(0x22);	Parameter_out(0x04); //set G_255
Index_out(0x23);	Parameter_out(0x00); //set G_0
Index_out(0x24);	Parameter_out(0x06); //set B_10
Index_out(0x25);	Parameter_out(0x07); //set B_36
Index_out(0x26);	Parameter_out(0x07); //set B_80
Index_out(0x27);	Parameter_out(0x06); //set B_124
Index_out(0x28);	Parameter_out(0x04); //set B_168
Index_out(0x29);	Parameter_out(0x03); //set B_212
Index_out(0x2A);	Parameter_out(0x04); //set B_255
Index_out(0x06);	Parameter_out(0x03); //set display on
AR_VDD= +5V	
AR_VSS= -5V	

2. Response Time test condition



3. Viewing angle test condition:



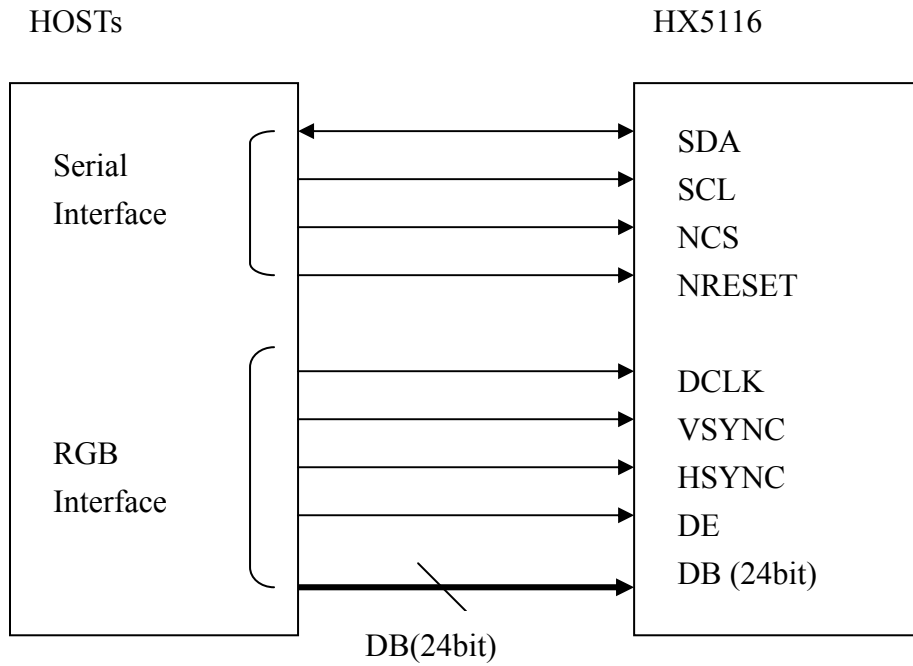
4. Contrast

$$CR = \frac{\text{Luminance with all pixels white}}{\text{Luminance with all pixels black}}$$

5. Optical tester: CA210

6. Brightness of 30% power consumption. Operating Life Time is defined when the luminance has decayed to less than 50% of the initial measured luminance before life test.

7. System Diagram:





8. Pin Assignment:

PIN	Symbol	I/O	Description	Remarks						
1	TP1	I	Touch panel P1							
2	TP2	I	Touch panel P2							
3	TP3	I	Touch panel P3.							
4	TP4	I	Touch panel P4							
5	AR_VSS	I	Negative voltage for OLED							
6	AR_VSS	I	Negative voltage for OLED							
7	TEST1_VS	open	CMEL test pin, it must be open.							
8	AR_VDD	I	Positive voltage for OLED							
9	AR_VDD	I	Positive voltage for OLED							
10	TEST2_VD	open	CMEL test pin, it must be open.							
11	ARREF	I/O	Panel refers voltage of the regulator ARREF or external input voltage. (-8V~+8V)							
12	VGL	I/O	Low Voltage output of regulator VGL or external input voltage. (-3V~-8V)							
13	VGH	I/O	High Voltage output of regulator VGH or external input voltage. (+3V~+8V)							
14	LVO	I/O	Negative output voltage of the booster2. (-8.5V)							
15	C22N	I/O	Connect to the step-up circuit, capacitors according to the step-up factor. Leave this pin open if the internal step-up circuit is not used.							
16	C22P									
17	HVO	I/O	Positive output voltage of the booster2. (8.5V)							
18	C21P	I/O	Connect to the step-up circuit, capacitors according to the step-up factor. Leave this pin open if the internal step-up circuit is not used.							
19	C21N									
20	C11N	I/O	Connect to the step-up circuit, 4capacitors according to the step-up factor. Leave this pin open if the internal step-up circuit is not used.							
21	C11P									
22	C12N									
23	C12P									
24	PVSS	P	Charge pump ground pin, it must connect to external ground.							
25	DDVDH	I/O	Output voltage of the booster1. (5.1V/6.0V)							
26	VSSA	P	Analog ground pin. It must connect to external ground.							
27	VSSA	P	Analog ground pin. It must connect to external ground.							
28	VCI	P	A power supply for the Analog circuit. (2.7V~3.6V)							
29	VCI	P	A power supply for the Analog circuit. (2.7V~3.6V)							
30	VGAM1OUT	I/O	Output voltage of the VGAM1OUT regulator and used positive power of source driver. (4.8V/5.8V)							
31	VDDD	I/O	Internal logic voltage input or output pin VDC_ENB=0, VDDD is output, please connect to 1uF capacitor.							
			<table border="1"> <tr> <td>VDC0</td> <td>VDDD</td> <td>Status</td> </tr> <tr> <td>0</td> <td>1.8V</td> <td>Normal display</td> </tr> </table>	VDC0	VDDD	Status	0	1.8V	Normal display	
			VDC0	VDDD	Status					
0	1.8V	Normal display								



		<table border="1" style="display: inline-table; vertical-align: middle;"> <tr> <td style="width: 33px; text-align: center;">1</td> <td style="width: 33px; text-align: center;">2.5V</td> <td style="width: 33px; text-align: center;">OTP program</td> </tr> </table>			1	2.5V	OTP program	
1	2.5V	OTP program						
		VDC_ENB=1, VDDD is input. (Input range = 1.6V~2.75V)						
32	VCC	P	A power supply for the Digital circuit. (1.5V~3.6V)					
33	VSSD	P	Digital ground pin. It must connect to external ground.					
34	NRESET	I	Reset pin. Setting either pin low initializes the LSI. Must be reset after power is supplied. (Normally pull high)					
35	NCS	I	Serial Interface chip enable pin. (Normally pull high)					
36	SCL	I	Serial Interface clock input pin. (Normally pull high)					
37	SDA	I	Serial Interface data line. (Normally pull high)					
38	DE	I	Data enable: When VSYNC+HSYNC+DE mode, DE=H: Data enable, DE=L: Data disable (Black). (Normally pull low)					
39	VSYNC	I	Frame synchronizing signal. If VSPL=0: Active low. If VSPL=1: Active high.					
40	HSYNC	I	Line synchronizing signal. If HSPL=0: Active low. If HSPL=1: Active high.					
41	DCLK	I	Dot clock signal. If DPL=0: Data are input on the rising edge of DOTCLK. If DPL=1: Data are input on the falling edge of DOTCLK.					
42	D27	I	Digital data input. DX0 is LSB and DX7 is MSB. (Normally pull low) 1. If parallel RGB input mode is used, D0X, D1X, and D2X indicate R, G, and B data in turn. 2. If serial RGB or RGBD or CCIR601 or CCIR656 input mode is selected, only D07~D00 are used, and others short to GND. DX7~DX0 has 8-bit width, respectively to compose 16,777,216 color and 256 gray scale of 1 pixel.					
43	D26							
44	D25							
45	D24							
46	D23							
47	D22							
48	D21							
49	D20							
50	D17							
51	D16							
52	D15							
53	D14							
54	D13							
55	D12							
56	D11							
57	D10							
58	D07							
59	D06							



60	D05			
61	D04			
62	D03			
63	D02			
64	D01			
65	D00			
66	TEST3_W	open	C MEL test pin, it must be open.	
67	AR_VDD	I	Positive voltage for OLED	
68	AR_VDD	I	Positive voltage for OLED	
69	AR_VSS	I	Negative voltage for OLED	
70	AR_VSS	I	Negative voltage for OLED	
71	TEST4_P	open	C MEL test pin, it must be open.	

10. Reliability Test:

No	Item	Specification
1	High Temp. Storage	85°C, 240hr
2	Low Temp. Storage	-40°C, 240hr
3	High Temp. Operation	60°C, 240hr
4	Low Temp. Operation	-40°C, 240hr
5	High Temp./ High Hum. Storage	85°C, 85 % RH, 120 hr
6	High Temp./ High Hum. Operation	60°C, 90 % RH, 240hr
7	Thermal Shock storage	-40°C, 30 min. --> 85°C, 30 min., 100 cycles
8	ESD	(1) Contact discharge mode: +/- 2kV, 3 times/FPC pin (2) Air discharge mode: +/- 8 kV, 10 times/central area
9	Packing Test	Drop 1 corner, 3 sides, 6 faces, 1 time for each; Height: follow ISTA standard. Frequency: 5~50HZ, 0.5G Scan rate: 1 oct/min Time: 2 hrs/axis Test axis: X, Y, Z

Evaluation Criteria

- No damage to glass or encapsulation
- No drastic change to display
- Defects / Mura follow product specification
- Luminance: Within +/-50% of initial value
- Current consumption: within +/-50% of initial value

11. Package:

1 One tray with 6 pcs panel module.

2 Take 191's sheet 1 pcs above the tray.

3 Take empty tray 1 pcs top of the substantial tray.

4 Place one stack with a Drier into an anti-static bag, then make it vacuum.

5 The Bag must be vacuumed (45% vacuum).

6 Take EPE foam 2 pcs to hold one Bag.

7 Place the stacks into the carton.

8 One box package.

FPC Pin direction must follow the arrowhead

MP number label must upturn

Interface Stack

Tray

Panel module

EPE Sheet

Drier

Anti-Static Vacuum Bag

45% Vacuum

S/N Label (Must align the corner mark)

Carton Label (Must align the corner points)

Final Hot Sealing

S/N Label

Carton Label

No.	Part Name	Qty	Unit	Part Number
1	Tray	33	pc	78-X000040
2	EPE Sheet	30	pc	78-Z000041
3	Drier	3	pc	78-X000001
4	Anti-Static vacuum bag	3	pc	78-X000006
5	S/N Label	3	pc	78-X000008
6	EPE Foam	6	pc	78-X000002
7	Carton Label	1	pc	78-X000011
8	Carton	1	box	78-X000009

TITLE		PACKAGE PASSEWAIR-T DRAWING	
Approved	JC KAO	Drawing No.	P04-3001330801
Checked	FLANK CHENG	Part No.	
Drawn	Edward Huang	Material	
Designer	Edward Huang	Date	07/Apr/08
		Scale	
		Unit	mm
		Sheet	1 / 1
		AM	

CMEL
 CHI MEI EL CORPORATION ALL RIGHTS RESERVED. COPYING PROHIBITED.



US Micro Products

Electronic Products for the OEM

Los Angeles • Austin • New York • Orlando • Shenzhen

(800) 741-7755

www.usmicroproducts.com

Displays

US Micro Products is an industrial distributor specializing in engineered display solutions. We dedicate ourselves to providing the best in displays for the medical, industrial, gaming, automotive, aerospace, military, and consumer markets.

OLEDs



TFT Displays



Open Frame Monitors



Passive LCDs



Multitouch



As a customer, you benefit from our expert knowledge, support and service which allow quick selection and design-in of the best display for your application. On hand stock and demo boards facilitate quick access and evaluation to get you going fast. Our technical sales staff and experienced design engineers provide answers to your questions as well as engineered solutions to solve your display needs.

Peripheral Devices

Our full line of peripheral devices includes keyboards, trackballs, and printers. These rugged industrial products are designed to meet your demanding requirements and are available as both standard and custom solutions.

Keyboards



Trackballs



Aerospace Trackballs



Joysticks



Printers

