



US Micro Products
Electronic Products for the OEM

PRINTER PRODUCT SPECIFICATION

PART NUMBER:	USMP-2100
DESCRIPTION:	2inch Direct Thermal Kiosk/ATM Printer 200DPI Resolution, 100mm/sec Printing Speed, Serial or USB Interface with Automatic Paper Cutter

ISSUE DATE	APPROVED BY (Customer Use Only)	CHECKED BY	PREPARED BY
PROPRIETARY NOTE:	THIS SPECIFICATION IS THE PROPERTY OF US MICRO PRODUCTS AND SHALL NOT BE REPRODUCED OR COPIED WITHOUT THE WRITTEN PERMISSION OF US MICRO PRODUCTS AND MUST BE RETURNED TO US MICRO PRODUCTS UPON ITS REQUEST.		



US Micro Products
Electronic Products for the OEM



USMP-2100

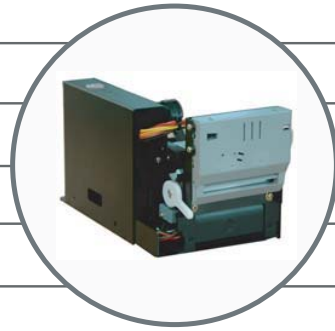
Low Cost 2inch Direct Thermal Kiosk/ATM Printer

Specification

USMP-2100

Features

- Low Cost
- Compact and light weight
- Robust Metal Construction
- 200dpi Resolution
- 100mm/sec Printing Speed
- Automatic Paper Cutter
- Serial or USB Interface
- Standard O.D120mm Paper Roll Holder (Optional O.D 180mm Paper Roll Holder)
- Windows 2000/XP Driver
- Self-Test Facility
- Status Monitoring

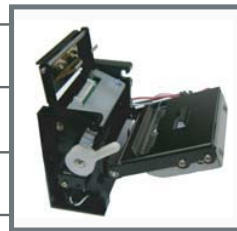
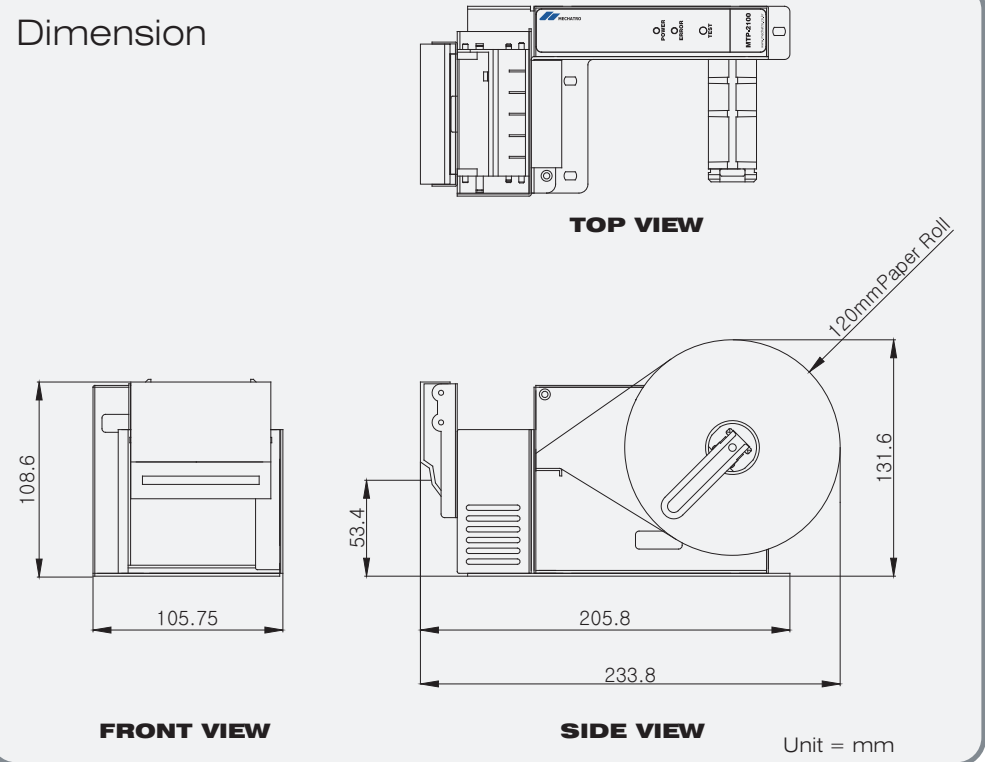


Application

Rugged MTP-2100 is suitable for various kiosks and ATMs.

- Queue Management System
- Automatic Teller Machine
- Cash Dispenser
- Various Kiosk Receipt
- Parking Ticket
- Movie Ticket
- Barcode
- Retail Coupon
- Booking Kiosks
- Self Service Machine...etc.

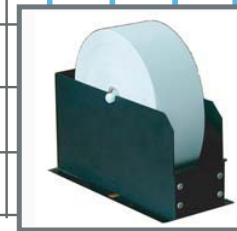
Dimension



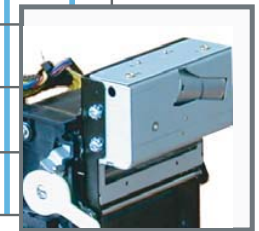
*Full opening printer mechanism allows easiest TPH replacement and paper jam removal.



*Standard Roll Holder with locker (1inch core)



*7inch Roll Holder (Option)



*Heavy Duty Cutter for ticket application (Option)

Specification

USMP -2100

Printing Method	Direct Thermal Printing
Resolution	203 dpi (8dots / mm)
Printing Speed	100mm / sec
Printing Width	56mm
Interfaces	USB / Serial (RS232C)
Power Required	24VDC / 4A
Paper Type	Thermal Paper
Paper Width	60mm (2inch)
Paper Roll O.D	O.D 100mm or Max O.D 180mm (Optional Roll Box)
Drivers	Windows 2000 / XP Drivers with Status Monitoring
Operating Temp	5°C ~ 40°C
Storage Temp	-10°C ~ 60°C
Operating Humidity	20% ~ 80%
Storage Humidity	10% ~ 90%
Dimension (WxDxH)	105.7 x 205.8 x 108.1 mm
Weight	Approx 1.2Kg



Windows XP / 2000



US Micro Products
6207 Bee Caves Rd., Ste. 330; Austin, TX 78746
Tel: (512) 385-9000 Toll Free: (800) 741-7755 Fax: (512) 385-9002
Email: sales@usmicroproducts.com www.usmicroproducts.com