

AMOLED SPECIFICATION

Part Number	USMP-A055-108192CDX-A0
Size	5.5"
Resolution	1080 x 1920
Brightness	350 cd/m ²
Contrast	10000:1
Viewing Angle	85/85/85/85
Operating Temp.	-20 ~ 60°C

FOR ADDITIONAL INFORMATION
PLEASE CONTACT:
engineering@usmicroproducts.com

Issue Date	Approved by (customer use)	Checked by	Prepared by

PROPRIETARY NOTE: THIS SPECIFICATION IS THE PROPERTY OF US MICRO PRODUCTS AND SHALL NOT BE REPRODUCED OR COPIED WITHOUT THE WRITTEN PERMISSION OF US MICRO PRODUCTS AND MUST BE RETURNED TO US MICRO PRODUCTS UPON ITS REQUEST.

(800) 741-7755
www.usmicroproducts.com

RECORDS OF REVISION

DATE	REF.PAGE PARAGRAPH DRAWING No.	REVISED No.	SUMMARY	REMARK
2017/5/17	ALL	0.0	FIRST ISSUE	

Contents

1	Introduction-----	4
2	General specification-----	5
3	Mechanical drawing-----	6
4	Absolute maximum ratings-----	7
5	Electrical characteristics-----	7
6	Optical characteristics -----	8-11
7	MIPI Interface Pin function -----	12
8	Block diagram -----	13
9	Caution -----	14
10	AMOLED quality criteria-----	15-18
11	Reliability Test -----	19
12	Precautions for using AMOLED modules -----	20-21
13	Packing method-----	22

1. Introduction

1.1 Scope of application

This specification applies to the AMOLED module that is supplied by USMP. This AMOLED module should be designed for mobile phone use.

AMOLED specification: Duty 1/1920, Dots 1080xRGBx1920

As to basic specification of the driver IC, refer to the IC (Raydium:RM67191) specification and datasheet.

All material & processing of the AMOLED module should be USMP Free.

1.2 TFT features:

Structure: AMOLED PANNEL+IC+FPC+TP FPC

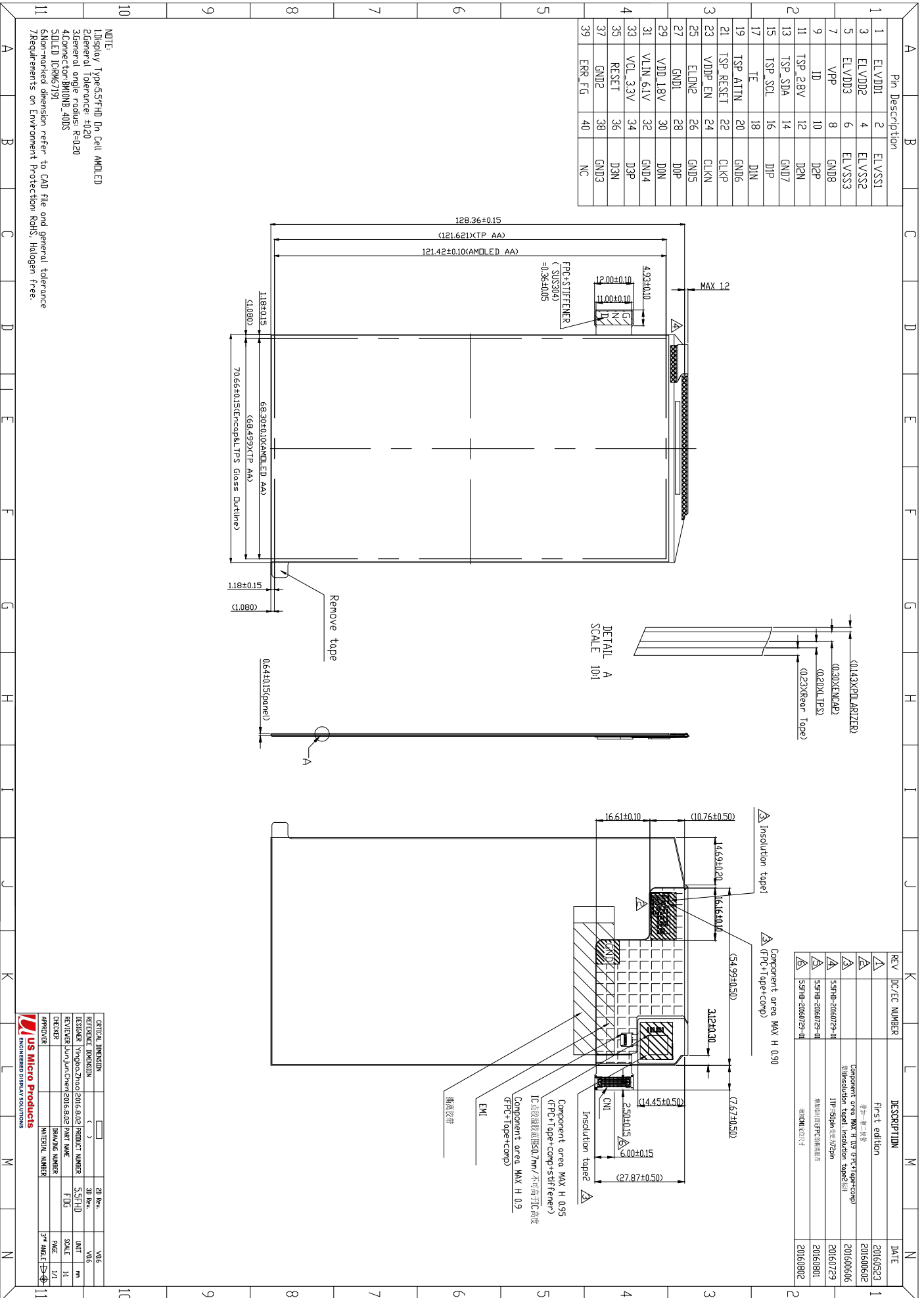
MIPI interface

1.3 Applications:

Mobile phone

2. AMOLED General specification

ITEM	AMOLED	UNIT
Number of Dots	1080*(RGB)*1920	Dots
Pixel Size (H*V)	31.62*63.24	μm
Active Area	68.299*121.421	mm
Glass Area (W*H)	70.66*128.36	mm
Driver IC	RM67191	--
Touch IC	S3508	
Weight	TBD	



4. ABSOLUTE MAXIMUM RATINGS

Parameter	Symbol	Min	Max	Unit
Analog/boost power voltage	VCI	-0.3	5.28	V
VCI I/O voltage	VCI_IF	-0.3	5.28	V
I/O voltage	VDDIO	-0.3	3.96	V
VSP voltage	VSP	-	6.5	V
VPP(OTP power)	VPP	-	8.64	V
TP Power voltage	VDD3	-0.3	3.6	V
TP I/O Digital Voltage	IOVCC	1.8	3.6	V
Operating temperature	Top	-20	60	°C
Storage temperature	Tstg	-30	70	°C

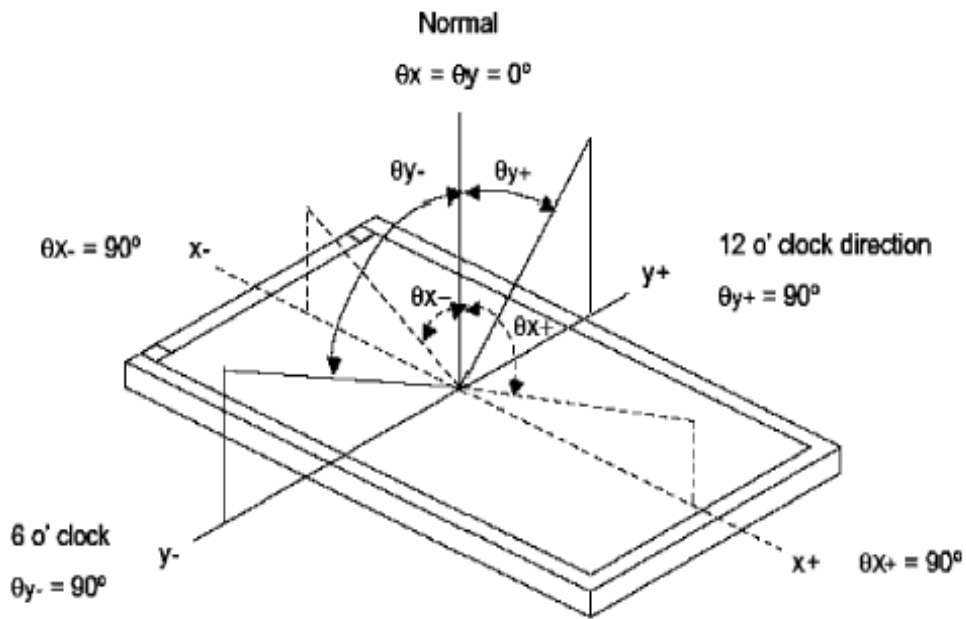
5. ELECTRICAL CHARACTERISTICS

Item	Symbol	Min	Typ	Max	Unit
AMOLED Power positive	ELVDD	-	4.6	-	V
AMOLED power Negative	ELVSS	-	-2.5	-	V
Gamma Voltage	VSP	6.1	6.4	6.5	V
Analog Power supply	VDDIO	1.65	1.8	3.6	V
	VCI	2.5	3.3	4.8	V
TP Supply voltage	VDD3	2.8	-	3.6	V
TP Logic Input Voltage	VIH	0.7*IOVCC	-	IOVCC	V
	VIL	-0.3	-	0.3*IOVCC	V
TP Logic Input Voltage	VOH	0.7*IOVCC	-	-	V
	VOL	-	-	0.3*IOVCC	V

6. AMOLED Optical Characteristics

ITEM	SYMBOL	CONDITIONS	SPECIFICATION			UNIT	NOTE	
			MIN	TYP.	MAX			
Brightness	B	Viewing normal angle	300	350	-	cd/m ²	All left side data are based on USMP's product reference only	
Contrast Ratio	CR		8,000	10,000	-	--		
Response Time	Tr+Tf		-	-	2	ms		
CIE Color coordinate	Red		X _R	/	/	/		
			Y _R	/	/	/		
	Green		X _G	/	/	/		
			Y _G	/	/	/		
	Blue		X _B	/	/	/		
			Y _B	/	/	/		
White	X _W		0.27	0.30	0.33			
	Y _W	0.29	0.32	0.35				
Viewing Angle	Hor.	θ_{x+}	/	85	-	Deg.		
		θ_{x-}	/	85	-			
	Ver.	θ_{y+}	/	85	-			
		θ_{y-}	/	85	-			
Color Gamut		NTSC	80	100	-	%		
Uniformity	Un		70	-	-	%		

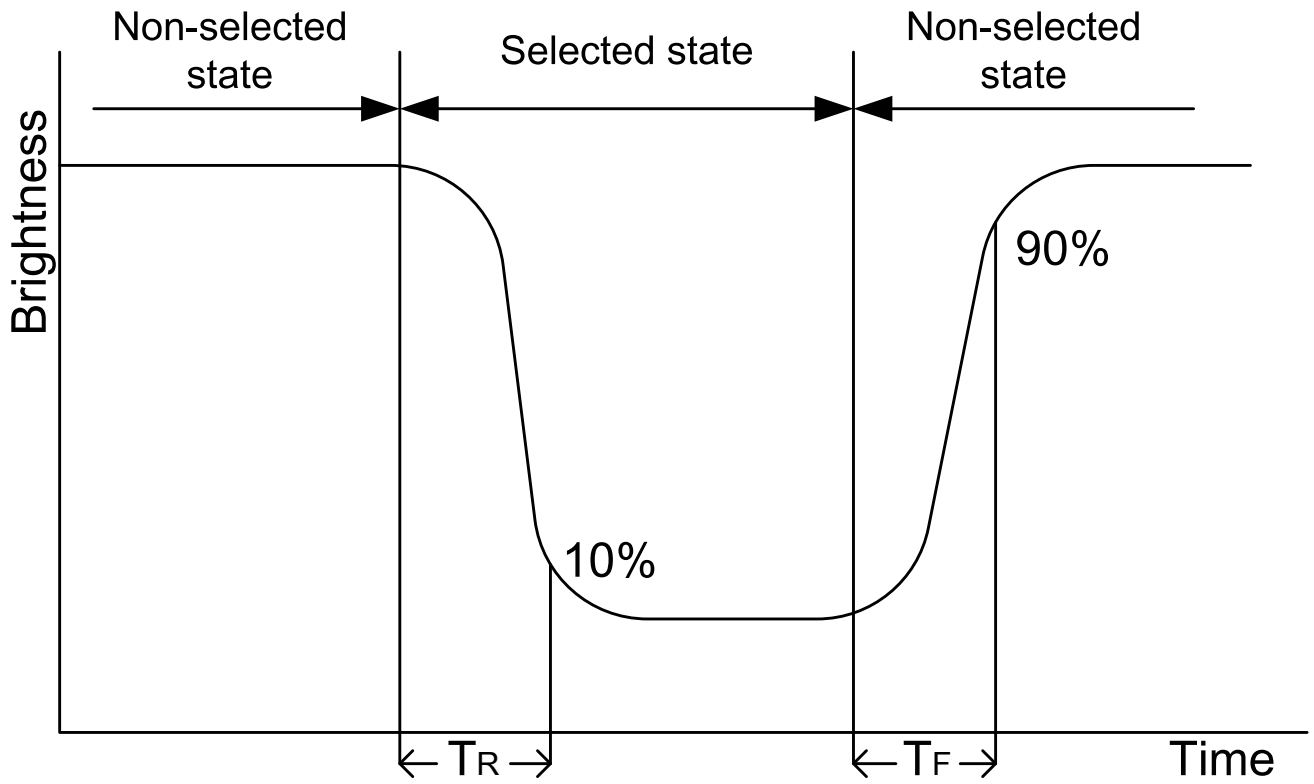
Note 1 : Definition of Viewing Angle θ_x and θ_y :



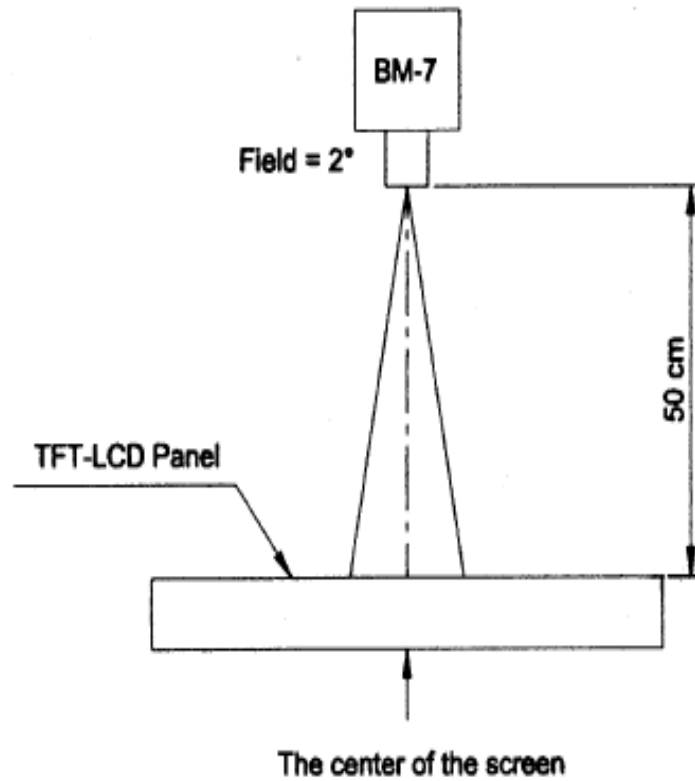
Note 2: Definition of contrast ratio CR:

$$CR = \frac{\text{Brightness of non-selected dots (white)}}{\text{Brightness of selected dots (black)}}$$

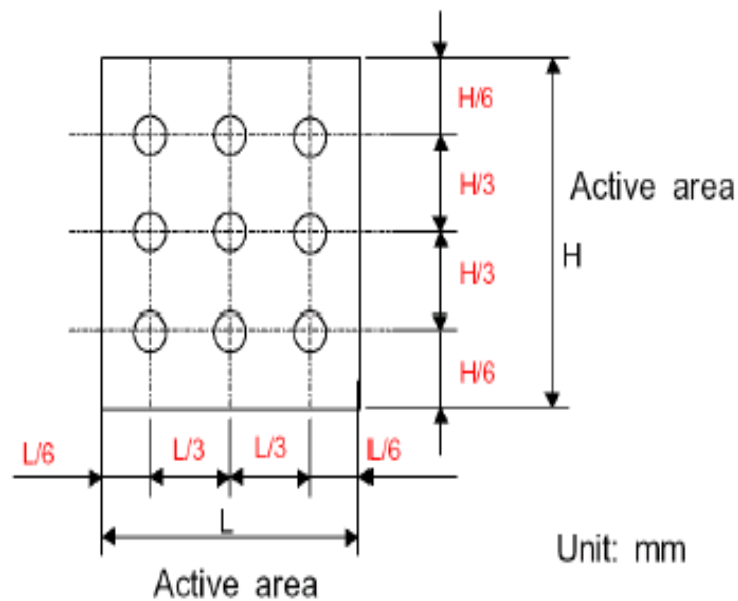
Note 3: Definition of response time (T_R , T_F)



The brightness test equipment setup
20mA Field=2° (As measuring "black" image, field=2° is the best testing condition)



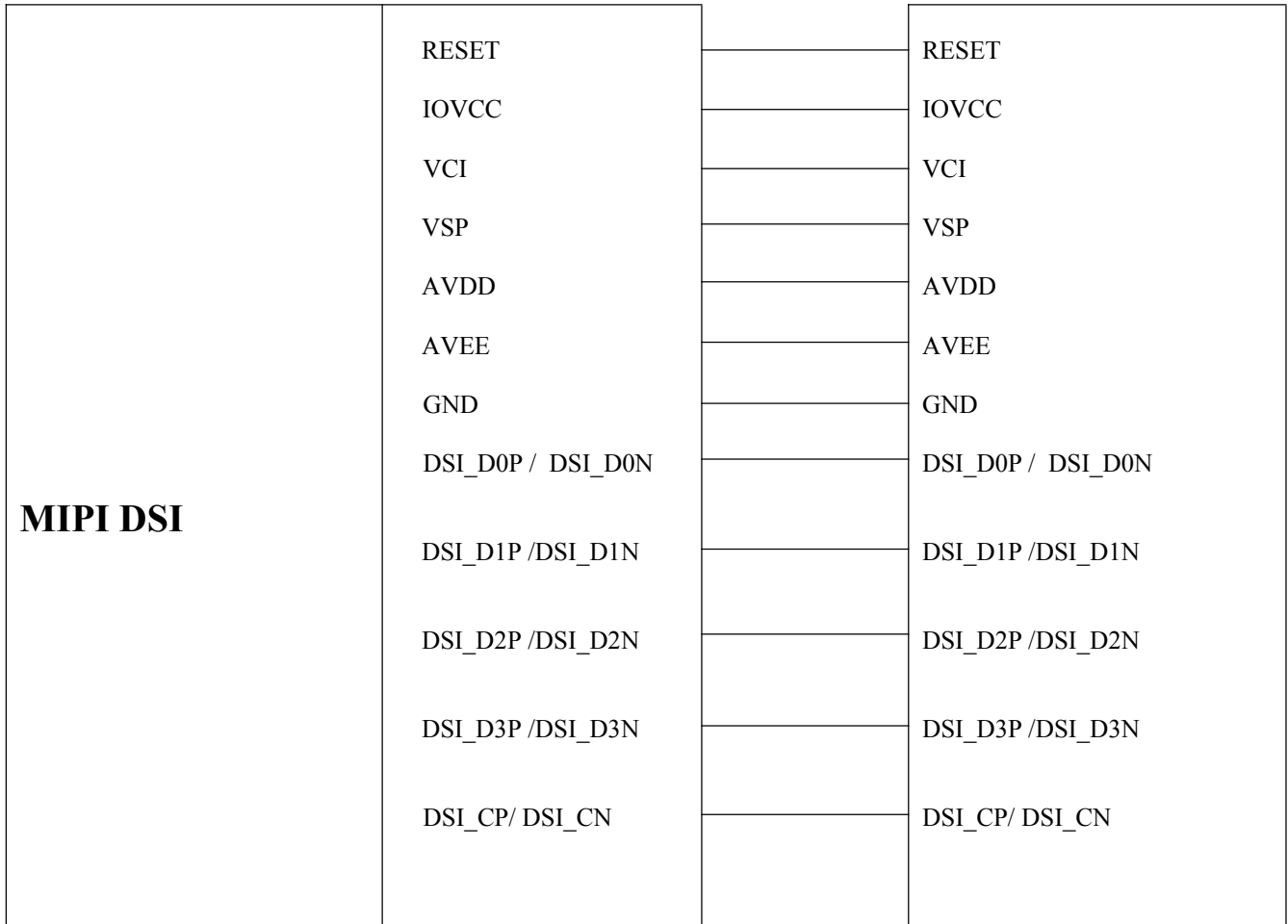
Note 4 :



7. LCM MCU Interface Pin Function

NO.	SYMBOL	Description	I/O
1	ELVDD1	Power supply for Analog system	P
2	ELVSS1	Power supply for Analog system	P
3	ELVDD2	Power supply for Analog system	P
4	ELVSS2	Power supply for Analog system	P
5	ELVDD3	Power supply for Analog system	P
6	ELVSS3	Power supply for Analog system	P
7	VPP	Power supply for OTP. Leave the pin to open when not in use.	P
8	GND8	Ground	P
9	ID	VIA 47K resistor connect to VDD_1.8V	O
10	D2P	MIPI DSI data2+	I
11	TSP_2.8V	TP Power Supply	I
12	D2N	MIPI DSI data2-	I
13	TSP_SDA	I2C Data Input & Output	I/O
14	GND7	Ground	P
15	TSP_SCL	I2C Clock Input	I
16	D1P	MIPI DSI data1+	I
17	TE	Tearing effect output pin to synchronize MCU to frame writing, activated by S/W command.	O
18	D1N	MIPI DSI data1-	I
19	TSP_ATTEN	Interrupt request to the host, or Wakeup request from the host.	I
20	GND6	Ground	P
21	TSP_RESET	TP External Reset, Low is Active	I
22	CLKP	MIPI DSI clock+	I
23	VDDP_EN	Power IC enable control pin	I
24	CLKN	MIPI DSI clock-	I
25	ELON2	Swire protocol setting pin	I
26	GND5	Ground	P
27	GND1	Ground	P
28	D0P	MIPI DSI data0+	I/O
29	VDD_1.8V	Driver IC digital I/O supply	P
30	D0N	MIPI DSI data0-	I/O
31	VLIN_6.1V	Power supply for Analog system	P
32	GND4	Ground	P
33	VCI_3.3V	Driver IC analog supply	P
34	D3P	MIPI DSI data3+	I
35	RESET	This signal will reset the device and must be applied to properly initialize the chip. Signal is active low.	I
36	D3N	MIPI DSI data3-	I
37	GND2	Ground	P
38	GND3	Ground	P
39	ERR_FG	Error Flag output pin (Active H),(0= Normal, 1= Error Occurred)	O
40	NC	Not connect	-

8.LCM Block Diagram



9. Caution

9.1 Handling of AMOLED

- . Be sure to ground the body when handling the AMOLED.
- . Don't give external shock
- . Don't apply excessive force on the surface.
- . Liquid in AMOLED is hazardous substance. Must not lick and swallow.
When the liquid is attach to your hand, skin, cloth etc. Wash it out thoroughly and immediately.
- . Don't operate it above the absolute maximum rating.
- . Don't disassemble the AMOLED

9.2 Storage

- .Store in an ambient temperature of 5 °C to 45 °C ,and in a relative humidity of 40% to 60%. Don't expose to sunlight or intensive ultraviolet rays
- . Storage in a clean environment, free from dust, active gas, and solvent.
- . Store in anti-static electricity container.
- . Store without any physical load.

10.AMOLED Quality Criteria

1.Description/描述

These inspection standards shall be applied to OLED Module supplied by USMP.
此份检验标准适用于USMP提供之成品的出货检验。

2. The environmental condition of inspection/环境检测

The environmental condition and visual inspection shall be conducted as below.
环境及外观检查如下

(1) Ambient temperature/环境温度 : 25°C±3°C

(2) Humidity/湿度: 25~75 %RH

(3) The visual inspection distance: The visual inspection distance of panel between OLED module and the inspector's sight should be at 30±5cm distance.

外观检查距离: 眼镜距离产品 30±5cm

(4) The viewing angle: 检测角度

a) 30 degree to the front surface of display panel in vertical direction. 玻璃表面垂直方向 30 度

b) 30 degree to the front surface of display panel in horizontal direction. 玻璃表面水平方向 30 度

(5) Ambient Illumination/环境亮度:

a) External appearance inspection/外观检测: 800 ~ 1200 Lux

b) Light on inspection/显示检测: 100 ~ 150 Lux

(6) ND filter shall be conducted at the distance 2cm to front surface of display panel.

ND Filter 需离屏幕表面 2cm,

(7) 画面检查依据 EDO 提供的检测治具进行判定

3. Classification of defects/缺陷分类

The defects are classified as major, minor and critical defects. The definitions of defects are described as below.
缺陷共分为重缺陷、轻缺陷和致命缺陷。定义如下:

(1) Major defect 重缺陷

The defect may cause the functional failure, or reduce the usability of the product for its purpose. For example: electrical failure, deformation etc.

能引起失效或显著降低产品预期性能, 如电性失效、结构不完整

(2) Minor defect 轻缺陷

The defect doesn't reduce the usability of product for its purpose.

For example: spot defect, mura etc.

不会显著降低产品的预期性能的缺陷, 如: 点缺陷、显示不均等

The judgment of the major and minor defects shall be according to Item 4.

(Classification table of defects)

缺陷的判定可依照项目 4

(3) Critical defect 致命缺陷

The defect may do harm to personal safety or threaten the customer's property.
 产品对人身安全造成伤害或存在安全隐患, 对客户财产构成威胁的缺陷。

4. 检验画面

全红/全蓝/全绿/全黑/全白/64 灰阶

5. Inspection Criteria/检测标准

(1) Display Defect/显示缺陷

a) Sampling Procedures for each item's acceptance table

Defect type	Sampling Procedures	AQL
Major defect	ANSI/ASQ Z1.4 Level II GB/T2828.1-2012 Level II	0.65
Minor defect	ANSI/ASQ Z1.4 Level II GB/T2828.1-2012 Level II	1.50

① Major defect/主缺陷:

The major defect refers to defect which may substantially degrade usability for product applications.

会很大程度上降低产品可用性的缺陷

② Minor defect/轻缺陷:

The minor defect refers to defect which is not considered to substantially degrade product application, or a defect which deviates from existing standards almost unrelated to the effective use of the product or its operation.


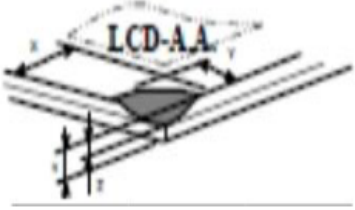
不会很大程度上影响产品的应用或者不会影响产品使用或操作的缺陷

③ View Area (VA) 为 AA 区单边+0.1mm, VA 区外的 Spot/划伤/线状异物/ Panel Stain/ Bubble 等缺陷不计。

b) 适用的产品形态: Panel & FOG & Full module

No	Item	Conditions		Type
1	No Display/无显示	Not allowance/不允许		Major
2	Irregular Operating/ 不正常显示	Not allowance/不允许		Major
3	Dot Defect/点缺陷	Defect	Acceptable number	Minor
		Bright Dot	2	
		Dark Dot	1. 单画面 ≤5 颗 2. 2 连点: $N \leq 4, D \geq 10\text{mm}$ 3. 3 连点不允许	
		1. 亮点: 模组厂二次 aging 后才可计入; ND10% 遮盖后可见判定为亮点; 不允许连点, 距离大于 10mm 2. 等间距暗点不管控		

4	Spot Defect/点缺陷/ 气泡/异物点 	Size D(mm)	Acceptable number	Minor
		$D \leq 0.15$	Ignore	
		$0.15 < D \leq 0.25$	$N \leq 2$	
		$D > 0.25$	不允许	
5	Scratches、 materials(Line shape) /划伤、线状异物（正 面）	Size(mm)	Acceptable number	Minor
		$W \leq 0.03$, L 不计	Ignore	
		$0.03 < W \leq 0.05$, $L \leq 5.0$	$N \leq 2$	
		$0.05 < W, L > 5.0$	不允许	
6	反面划伤	1. 正面不可见/点亮后不可见 2. 不可刮手		Minor
7	FPC	FPC 外观不良, 若未导致功能性不良且无 RA 问题, 忽略不计		Minor
8	CG 针孔	1. $\phi \leq 0.15$, $N \leq 1$ 2. $\phi > 0.15$, 不允许		Minor
9	CG Logo 外观	异物点 /气泡等: 1. $D \leq 0.15$, 忽略不计 2. $0.15 < D \leq 0.25$, $N \leq 2$ 3. $D > 0.25$, $N=0$		Minor
10	CG 异色	必要时可与客户签订限度样品		Minor
11	CG 油墨	正面视窗区丝印油墨边缘: 1. $W \leq 0.2\text{mm}$, 允许 2. $W > 0.2\text{mm}$, 不允许		Minor
12	CG	非 CG 正面, 不影响外观和功能的, 忽略不计		Minor
13	Panel Stain/脏污	Not allowance/不允许 (不可擦拭)		Minor
14	Mura/显示不均 (Including discoloration/包括混 色)	一、Mura definition: 1、Only in 64 gray pattern/仅在 64 灰阶画面下: ND filter 2%遮盖后不可见; 2、白画面 mura 不计; 二、discoloration : 白、红、绿、蓝画面下: 1、ND filter 2%不可见; If its limit sample is needed, it can be fixed mutually with a customer./必要时可与客户签订限度样品		Minor

15	玻璃台阶面（含线路区）	<p>FOG区域崩边： $Z \leq T$ $X \leq 3.0\text{mm}$ $Y \leq 0.25\text{mm}$</p> <p>非FOG区域及背面： $Z \leq T$ $X \leq 3.0\text{mm}$ $Y \leq 1.0\text{mm}$</p> 	Minor
16	非玻璃台阶面区域及背面&CG	<p>边缘： $Z \leq T$ $X \leq 5.0\text{mm}$ $Y \leq 0.5\text{mm}$</p> <p>四角： $Z \leq T$ $X (Y) \leq 1.5\text{mm}$ $Y (X) \leq 1.0\text{mm}$</p> 	Minor
17	凸缘	$\leq 0.2\text{mm}$	Minor
18	牛顿环	If its limit sample is needed, it can be fixed mutually with a customer./必要时可与客户签订限度样品	Minor

11. RELIABILITY TEST

NO	ITEM	CONDTTION	STANDARD
1	High Temp. Storage	80°C, 24 hours	1. Functional test is OK. Missing Segment, short, unclear segment, non-display, display abnormally and liquid crystal leak are un-allowed. 2. No low temperature bubbles, end seal loose and fall, frame rainbow.
2	Low Temp. Storage	-30°C, 24 hours	
3	High Temp. Operation	60°C, 16 hours	
4	Low Temp. Operation	-20°C, 16 hours	
5	High temperature and high Humidity storage	55°C, 90~95%RH, 48 hours	
6	Thermal and cold shock	Static state, -30°C (1 hour) ~80°C (1 hour) ~ -30°C (1 hour), packaging, 10 cycles	1. Function test is OK. 2. No glass crack, chipped glass, end seal loose and fall, epoxy frame crack and so on. 3. No structure loose and fall.
7	Vibration test	Packaging, Frequency : 10-55Hz Amplitude : 1.0mm, Each direction on X,Y axe 0.5 hour, circle 2 hours	
8	Dropping test	Pack products into the carton box. Drop it from 80cm height to ground. Once for each side of the carton	

NOTE:

11.1.1 The reliability items will be fully performed in new sample qualification,

11.1.2 The reliability status will be tested as monitor during mass production. Individual reliability test shall be

performed by lot, Moreover, the individual reliability item shall be decided according to reliability plan.

11.1.3 All samples are inspected after keeping in the room with normal temperature and humidity for 2 hours or above.

11.1.4 Vibration test: It is not necessary to test for those products without assembly frame, back light, PCB and so on.

11.1.5 Dropping test: It is necessary for affirming new package.

11.1.6 For the high temperature and high humidity test, pure water of over 10 MΩ.cm should be used.

11.1.7 Each test item applies for test LCM only once. Then tested LCM cannot be used again in any other test item.

11.1.8 The quantity of LCM examination for each test item is 5pcs to 10pcs.

12. PRECAUTIONS FOR USING LCM MODULES

12.1 Safety instructions

12.1.1 If the LCD panel breaks, be careful not to get any liquid crystal substance in your mouth.

12.1.2 If the liquid crystal substance touches your skin or clothes, please wash it off immediately by using soap and water.

12.2 Handling Precautions

12.2.1 Avoid static electricity damaging the LSI.

12.2.2 Do not remove the panel or frame from the module .

12.2.3 The polarizing plate of the display is very fragile . So, please handle it very carefully.

12.2.4 Do not wipe the polarizing plate with a dry cloth, as it may easily scratch the surface of the plate.

12.2.5 The color tone of display and background of LCM has the possibility to be changed in the storage temperature range.

12.2.6 Pay attention to the working environment, as the element may be destroyed by static electricity.

--Be sure to ground human body and electric appliance during work.

--Avoid working in a dry environment to minimize the generations of static electricity.

--Static electricity may be generated when the protective film is fast peeled off.

12.2.7 When soldering the terminal of LCM, make certain the AC power source of soldering iron does not leak.

12.2.8 If the display surface becomes contaminated ,breathe on the surface and gently wipe it with a soft-dry- clean cloth .If it is heavily contaminated ,moisten cloth with the following solvent(ex:Ethyl alcohol).Solvents other than those above-mentioned may damage the polarizer(Especially ,do not use them .ex: Warter / Ketone)

12.3 Operation instructions

12.3.1 It is recommended to drive the LCD within the specified voltage limits, try to adjust the operating voltage for the optimal contrast, the color and contrast of LCD panel will varies at different temperature.

12.3.2 Response time is greatly delayed at low operating temperature range. However, this does not mean the LCD will be out of the order, It will recover when it returns to the specified temperature range.

12.3.3 If the display area is pushed hard during operation, the display will become abnormal.

12.3.4 Do not operate the LCD at the environments over the specified conditions, this may cause damage on the LCD and shorten the lifetime.

12.4 Storage instructions:

12.4.1 Store LCDs in a sealed polyethylene bag.

12.4.2 Store LCDs in a dark place, Do not expose to sunlight or fluorescent light. Keep the temperature between 0°C and 35°C.

12.4.3 Avoid the polarizer touch any other object, (It is recommended to store them in the container in which they were shipped.)

12.5 Limited Warranty

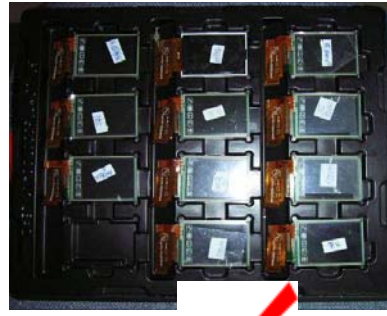
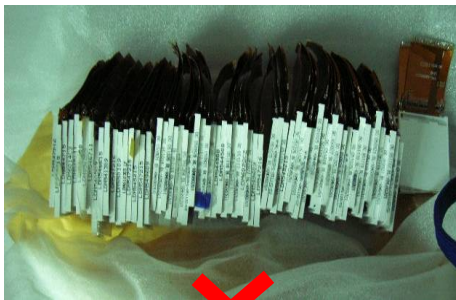
12.5.1 USMP will replace or repair any of its LCD modules, which are found to be defective, when inspected in accordance with USMP LCM acceptance standards (copies available upon request) for a period of 12 months from ink- print date on product

12.5.2 Any defects must be returned to USMP within 60 days since ship-out. Confirmation of such date shall be based on freight documents. The warranty liability of USMP limited to repair and/or replacement on defects above (7.1,7.2)

12.5.3 No warranty can be granted if the precautions stated above have been disregarded. The typical samples are as below:

- LCD glass crack/break
- PCB outlet is damaged or modified.
- PCB conductors damaged.
- Circuit modified with by grinding, engraving or painting varnish.
- FPC crack

12.5.4 Modules must be returned with sufficient description of the failures of defects. Any connectors or cable installed by the customer must be removed completely without damaging the PCB outlet, conductors and terminals. Modules must be packed with the container in which they were shipped.



13. Packing method-----TBD