

# AMOLED SPECIFICATION

Part Number	USMP-A014-040040NEA-A0
Size	1.4"
Resolution	400 x 400
Brightness	300 nits
Contrast	10,000:1
Viewing Angle	85/85/85/85
Operating Temp.	-20 - 60C

FOR ADDITIONAL INFORMATION  
PLEASE CONTACT:  
[engineering@usmicroproducts.com](mailto:engineering@usmicroproducts.com)

Issue Date	Approved by (customer use)	Checked by	Prepared by

PROPRIETARY NOTE: THIS SPECIFICATION IS THE PROPERTY OF US MICRO PRODUCTS AND SHALL NOT BE REPRODUCED OR COPIED WITHOUT THE WRITTEN PERMISSION OF US MICRO PRODUCTS AND MUST BE RETURNED TO US MICRO PRODUCTS UPON ITS REQUEST.

**(800) 741-7755**  
[www.usmicroproducts.com](http://www.usmicroproducts.com)

# AMOLED

## Product Specification

Model Name: USMP-A014-040040NEA-A0

Description: 1.4" (400X400) AMOLED

Doc. Version: 02

Customer: Common Customers

- Approved for Preliminary Specification
- Approved for Final Specification
- Approved for Final Specification & Sample

Prepared by	Checked by	Approved by

Customer's Approval



## Contents

Contents .....	3
1 Scope.....	4
2 Features .....	4
2.1 Product Applications.....	4
2.2 Product Features .....	4
3 Mechanical Specifications.....	4
4 Maximum Rating.....	4
5 Electrical Specifications.....	5
5.1 Electrical Characteristics.....	5
5.2 I/O Connection and Block Diagrams.....	8
5.3 Recommended Operating Sequence.....	10
5.4 AC Characteristics ( MIPI ) .....	10
6 Electro-Optical Specification .....	13
7 Reliability.....	16
7.1 Environmental Test .....	16
7.2 Electrical Test.....	16
7.3 Mechanical Test .....	16
8 Handling Precautions .....	16
9 Outline Dimension Drawing.....	18
10 Packing Specification.....	19

## 1 Scope

This specification defines the 1.4" AMOLED.

## 2 Features

### 2.1 Product Applications

Smart Watch

### 2.2 Product Features

- 1) Display color: 16.7M (RGB x 8bits)
- 2) Display format: 1.4"(400RGBx400)
- 3) Pixel arrangement: Real RGB arrangement
- 4) Interface: MIPI 1-lane

## 3 Mechanical Specifications

Item	Specification	unit
Dimension outline	38.6 x 40.5 x 0.67	mm
LTPS Glass outline	38.6 x 40.5	mm
Encapsulation Glass outline	φ38.6	mm
Number of dots	400(W) x RGB x 400(H)	dots
Active area	φ35.4	mm
Diagonal size	1.39	inch
Pixel pitch	29.5 x 88.5	μm
Glass thickness (LTPS/encapsulation glass)	0.2 / 0.2	mm
Weight	2	g

Note: Refer to 9 Outline Dimension Drawing

## 4 Maximum Rating

Parameter	Symbol	Spec			Unit	Note
		Min.	Typ.	Max.		
Analog/boost power voltage	VCI	-0.3	-	-	V	-
I/O voltage	VDDIO	-0.3	-	-	V	-
Operating temperature	Top	-20	-	60	°C	-
Storage temperature	Tstg	-30	-	70	°C	-

## 5 Electrical Specifications

### 5.1 Electrical Characteristics

#### 5.1.1 Power Characteristic:

Item	Symbol	Min.	Typ.	Max.	Unit	Remark
AMOLED Power positive	ELVDD	4.55	4.6	4.65	V	-
AMOLED power Negative	ELVSS	-2.45	-2.4	-2.35	V	Ref
Digital Power supply	VDDIO	1.65	1.8	1.95	V	Ref
Analog Power supply	VCI	2.7	2.8	2.9	V	Ref

#### 1) Normal Mode

**Power Supply:** IOVCC=1.8V VCI=2.8V

**Frame Frequency:**  $F_{frame}=60\text{HZ}$  @ 25degC, Brightness 300 nits, Command Mode,

Display Condition	Symbol	Min.	Typ.	Max.	Unit	Remark
100% Pixel On 300nits	IELVDD /ELVSS	-	21.0	25.4	mA	Ref
	IVCI	-	6.0	7.2	mA	Ref
	IVDDIO	-	2.0	2.4	mA	Ref
50% Pixel On 150nits	IELVDD /ELVSS	-	5.2	6.2	mA	Ref
	IVCI	-	6.6	8.0	mA	Ref
	IVDDIO	-	2.0	2.4	mA	Ref
10% Pixel On 50nits	IELVDD /ELVSS	-	0.4	0.5	mA	Ref
	IVCI	-	7.2	8.6	mA	Ref
	IVDDIO	-	2.0	2.4	mA	Ref

#### 2) Idle Mode

**Power Supply:** IOVCC=1.8V VCI=2.8V

**Frame Frequency:**  $F_{frame}=15\text{HZ}$  @ 25degC, Brightness 30 nits,

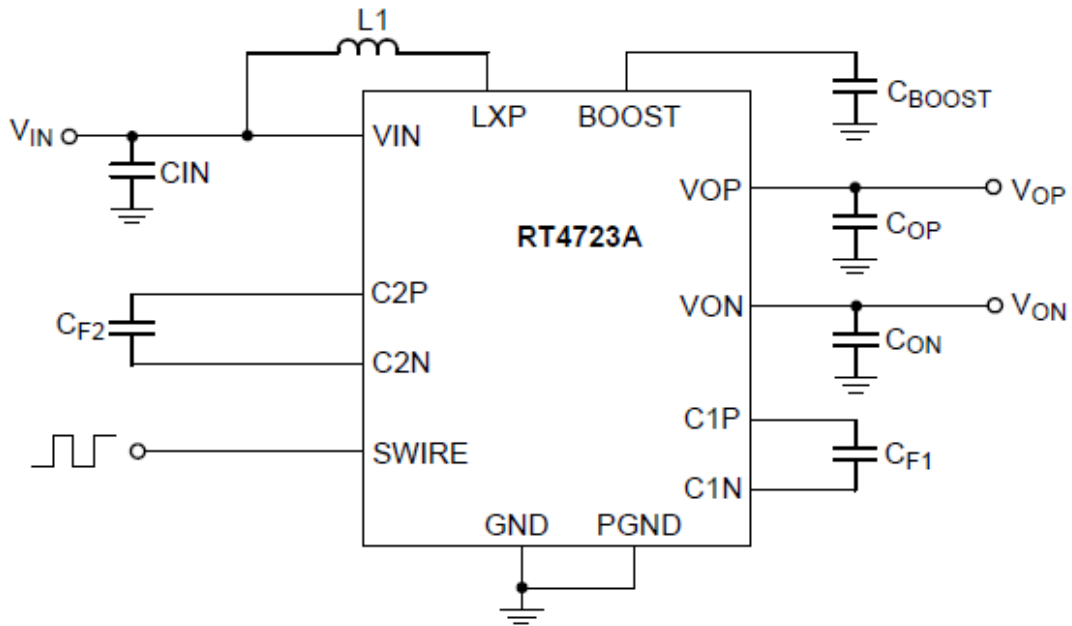
Display Condition	Symbol	Min.	Typ.	Max.	Unit	Remark
10% Pixel On 30 nits	IELVDD /ELVSS	-	-	-	mA	Supplied by Driver IC
	IVCI	-	3.0	3.6	mA	Ref
	IVDDIO	-	1.0	1.2	mA	Ref

#### 3) Deep Standby Mode

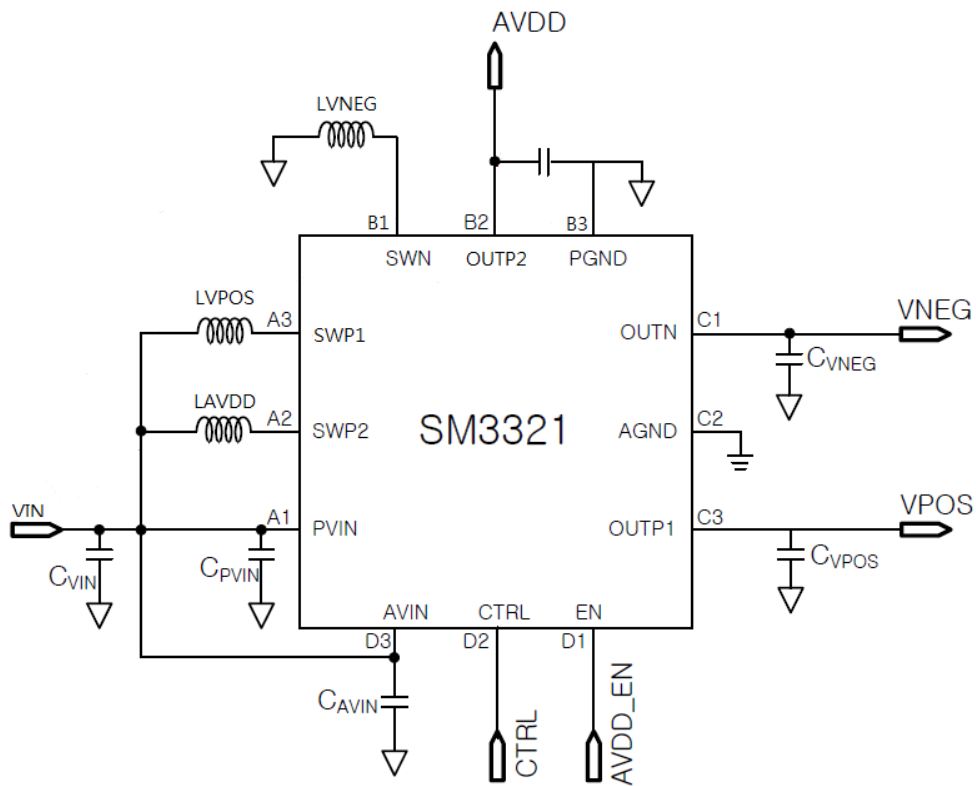
Display Condition	Symbol	Min.	Typ.	Max.	Unit	Remark
Deep Standby	IVCI	-	-	1	uA	-
	IVDDIO	-	-	0	uA	-

**5.1.2 Power supply circuit application (This is for reference only):**

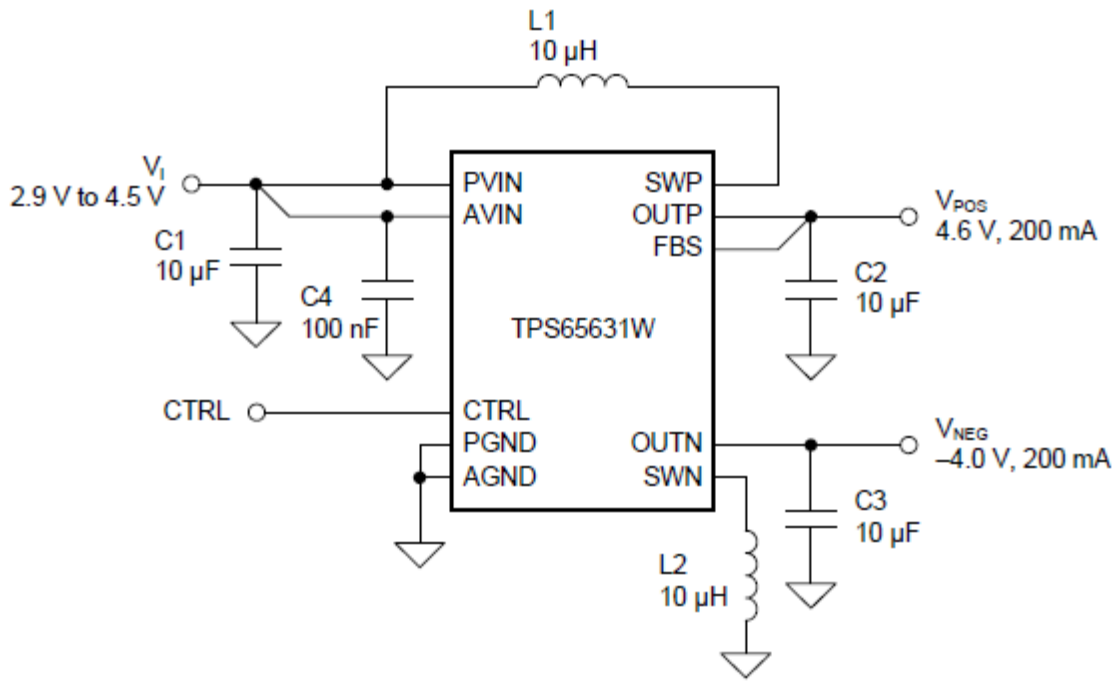
**1) RT4723A**



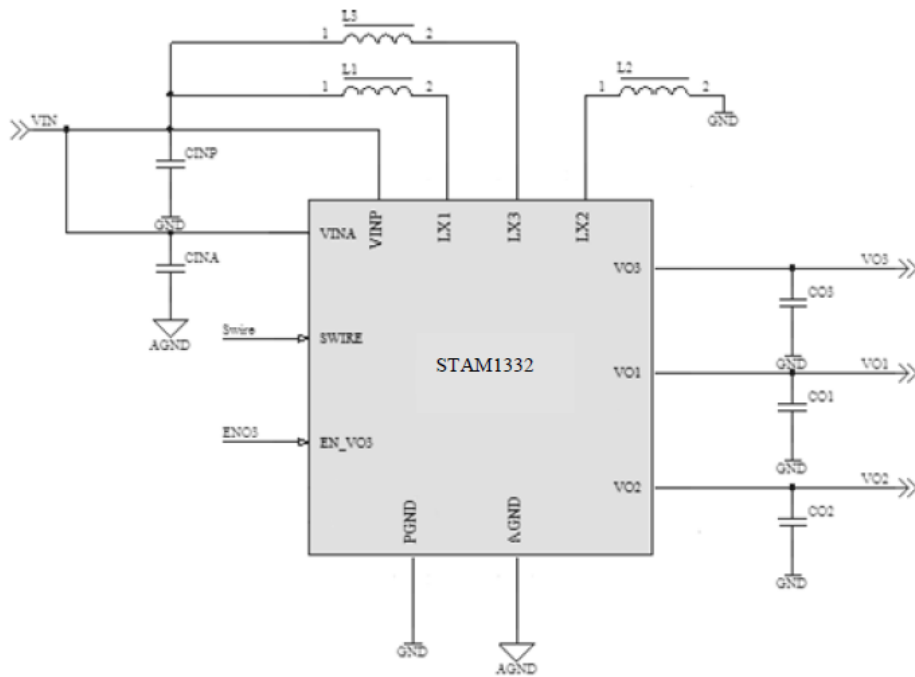
**2) SM3321**



**3) TPS65631W**



4) STAM1332

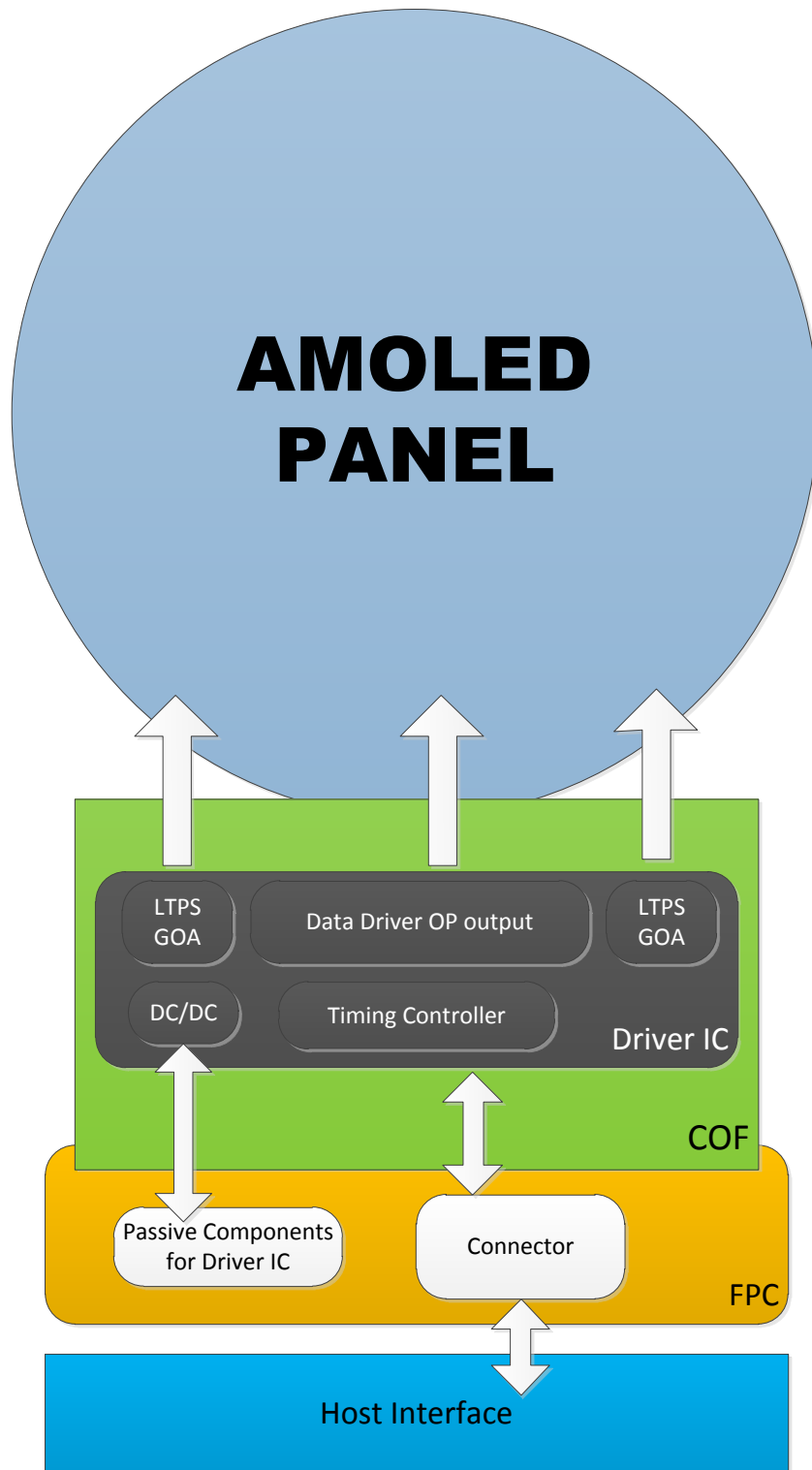




## 5.2 I/O Connection and Block Diagrams

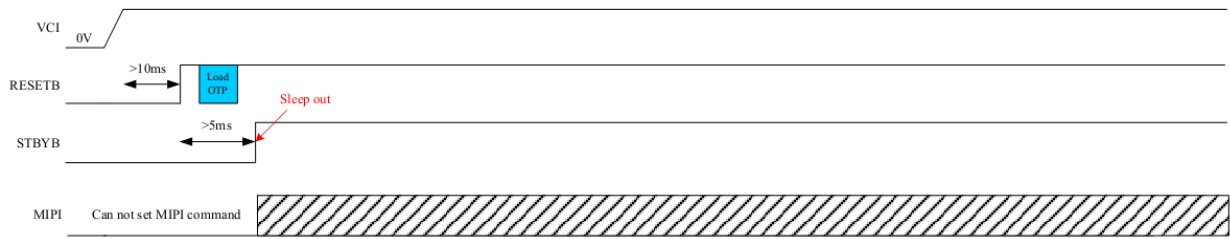
### 5.2.1 I/O Connection

#	Pin_name	I/O	Description
1	ELVSS1	Power	AMOLED power Negative
2	ELVDD1	Power	AMOLED power Positive
3	ELVSS2	Power	AMOLED power Negative
4	ELVDD2	Power	AMOLED power Positive
5	ELVSS3	Power	AMOLED power Negative
6	ELVDD3	Power	AMOLED power Positive
7	VCI	Power	Driver IC analog supply
8	GND2	Power	The power ground
9	VDDIO	Power	Driver IC digital I/O supply
10	DSI_D0N	I/O	MIPI DSI data0-
11	GND1	Power	The power ground
12	DSI_D0P	I/O	MIPI DSI data0+
13	TE	O	Tear effect output
14	GND3	Power	The power ground
15	VPP	Power	Power supply for OTP. Leave the pin to open when not in use.
16	DSI_CLKN	I/O	MIPI DSI clock-
17	REST	I	This signal will reset the device and must be applied to properly initialize the chip. Active low.
18	DSI_CLKP	I/O	MIPI DSI clock+
19	SWIRE	O	Swire protocol setting pin of Power IC
20	GND4	Power	The power ground

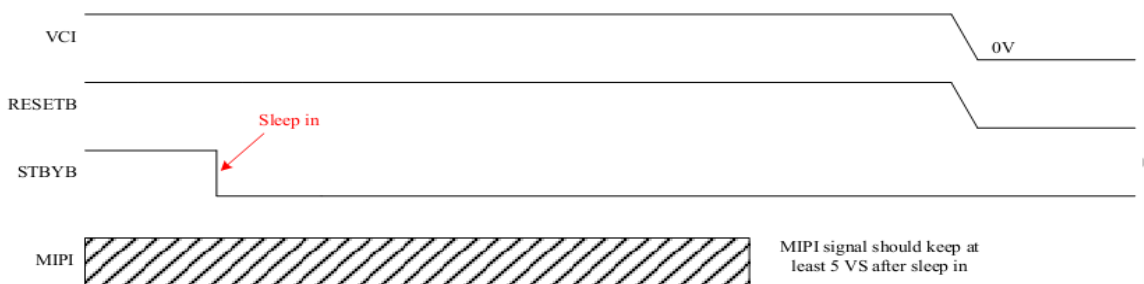


### 5.3 Recommended Operating Sequence

#### 5.3.1 Power on sequence

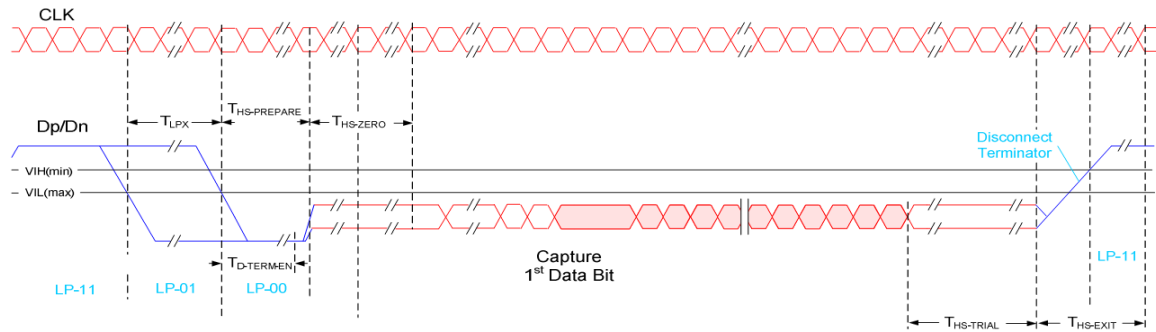


#### 5.3.2 Power off sequence

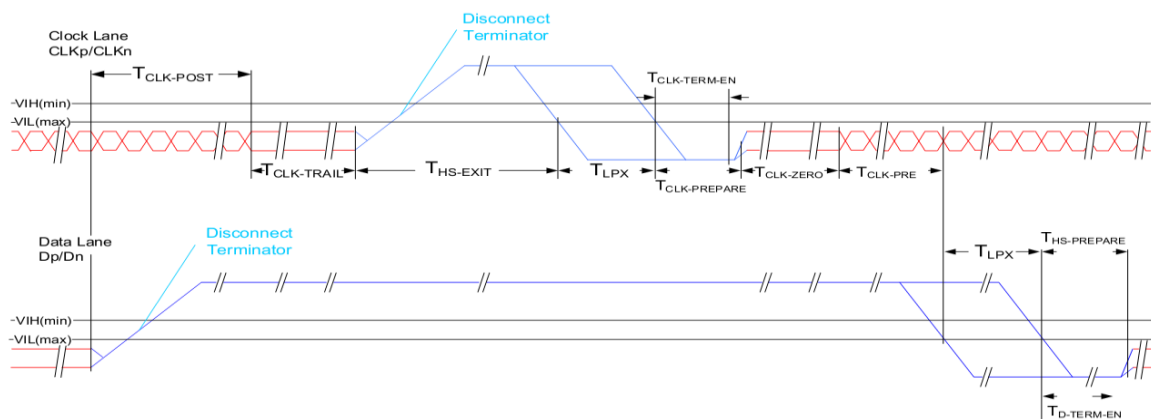


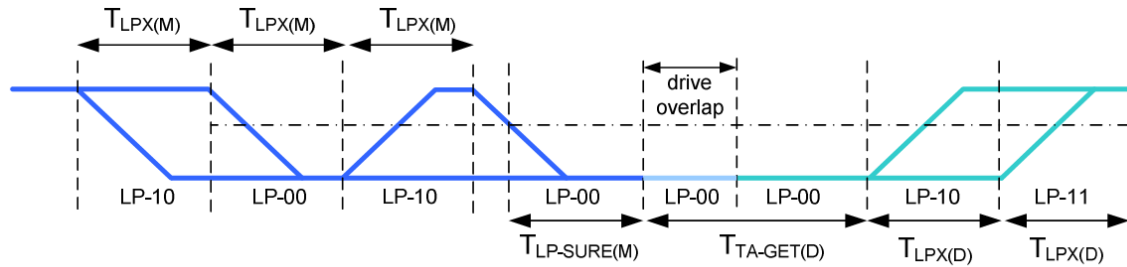
### 5.4 AC Characteristics (MIPI)

#### 5.4.1 HS Data Transmission Burst



#### 5.4.2 HS Clock Transmission



**5.4.3 Turnaround Procedure**

**5.4.4 Timing Parameters**

Symbol	Description	Min	Typ	Max	Unit
TREOT	30%-85% rise time and fall time	-	-	35	ns
TCLK-MISS	Timeout for receiver to detect absence of Clock transitions and disable the Clock Lane HS-RX.	-	-	60	ns
TCLK-POST*1	Time that the transmitter continues to send HS clock after the last associated Data Lane has transitioned to LP Mode. Interval is defined as the period from the end of THS-TRAIL to the beginning of TCLK-TRAIL.	60ns + 52*UI (For DCS)	-	-	ns
TCLK-PRE	Time that the HS clock shall be driven by the transmitter prior to any associated Data Lane beginning the transition from LP to HS mode.	8	-	-	ns
TCLK-SETTLE	Time interval during which the HS receiver shall ignore any Clock Lane HS transitions, starting from the beginning of TCLK-PRE.	95	-	300	ns
TCLK-TERM-EN	Time for the Clock Lane receiver to enable the HS line termination, starting from the time point when Dn crosses VIL,MAX.	Time for Dn to reach VTERM-EN	-	38	ns
THS-SETTLE	Time interval during which the HS receiver shall ignore any Data Lane HS transitions, starting from	85 ns + 6*UI	-	145 ns + 10*UI	ns

	the beginning of THSPREPARE.				
TEOT	Time from start of THS-TRAIL or TCLK-TRAIL period to start of LP-11 state	-	-	105ns+48*UI	ns
THS-EXIT(1)	time to drive LP-11 after HS burst	100	-	-	ns
THS-PREPARE	Time to drive LP-00 to prepare for HS transmission	40ns + 4*UI	-	85ns+6*UI	ns
THS-PREPARE + THS-ZERO	THS-PREPARE + Time to drive HS-0 before the Sync sequence	145ns + 10*UI	-	-	ns
THS-SKIP	Time-out at RX to ignore transition period of EoT	40	-	55ns+4*UI	ns
THS-TRAIL	Time to drive flipped differential state after last payload data bit of a HS transmission burst	60 + 4*UI	-	-	ns
TLPX	Length of any Low-Power state period	50	-	-	ns
Ratio TLPX	Ratio of TLPX(MASTER)/TLPS(SLAVE) between Master and Slave side	2/3	-	3/2	ns
TTA-GET	Time to drive LP-00 by new TX	5*TLPX	5*TLPX	5*TLPX	ns
TTA-GO	Time to drive LP-00 after Turnaround Request	4*TLPX	4*TLPX	4*TLPX	ns
TTA-SURE	Time-out before new TX side starts driving	TLPX	-	2*TLPX	ns

#### 5.4.5 Timing requirements for RESETB

When RESETB of the reset pin equals to Low, it will be in the condition of reset.

When it is in the condition of reset, it will make the device recover the initial set.

However, in order to avoid the reset noise cause reset, there is a mechanism to judge about whether the reset is needed or not.

The closed interval of Low can be shown as the following.

**(Test condition: VDDIO=1.65V~3.6V, VSS=0V, TA=-20°C~+70°C)**

Parameter	Symbol	Conditions	Spec			Unit
			Min.	Typ.	Max.	
Reset low pulse width	Trst	-	20	-	-	μs

**Table: Reset timing**

RESETB


**Figure: Reset timing**

## 6 Electro-Optical Specification

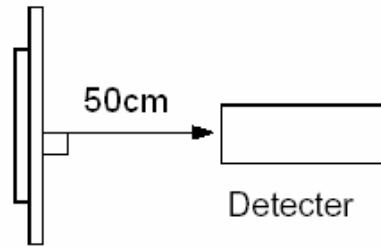
**Test condition:** IOVCC=1.8V , VCI=2.8V , Ta=25°C

Item	Symbol	Condition	Value			Unit	Note	
			Min	Typ	Max			
Luminance		$\theta=0^\circ$	250	300	-	cd/m <sup>2</sup>	Note 1	
Uniformity		$\Phi=0^\circ$	80		-	%	Note 2	
Viewing Angle	Left	$\theta_L$	$Cr \geq 200$	80	85	-	Deg.	Note 3
	Right	$\theta_R$		80	85	-		
	Top	$\psi_T$		80	85	-		
	Bottom	$\psi_B$		80	85	-		
Contrast Ratio	CR	$\theta=0^\circ$	5000	10000	-	-	Note 4	
Response Time	Tr+Tf	$\Phi=0^\circ$	-	2	4	ms	Note 5	
Color Coordinate of CIE1931	Red	X	$\theta=0^\circ$ $\Phi=0^\circ$	-	0.66	-	-	-
		Y		-	0.34	-		
	Green	X		-	0.21	-		
		Y		-	0.74	-		
	Blue	X		-	0.13	-		
		Y		-	0.06	-		
	White	X		0.27	0.30	0.33		
		Y		0.28	0.31	0.34		
NTSC Ratio	NTSC	CIE1931	85	100	-	%	-	
Flicker	-	-	-	-30	-	dB	-	
Gamma	-	-	1.9	2.2	2.5		Note 6	
Crosstalk	$\Delta CT$	-	-	-	1.1		Note 7	

### Note 1: Luminance measurement

The test condition is measured on the surface of AMOLED module at 25°C.

- Measurement equipment CS2000 or similar equipment (Field of view:1deg,Distance:50cm)
- Measuring surroundings: Dark room.
- Measuring temperature: Ta=25°C.
- Adjust operating voltage to get optimum contrast at the center of the display.



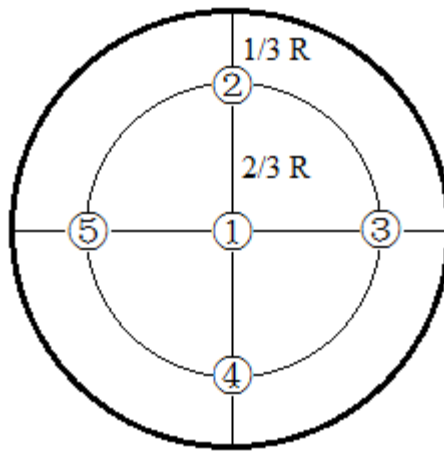
**Note 2: Uniformity**

The luminance uniformity is calculated by using following formula:

$$\Delta Bp = Bp (\text{Min.}) / Bp (\text{Max.}) \times 100 (\%)$$

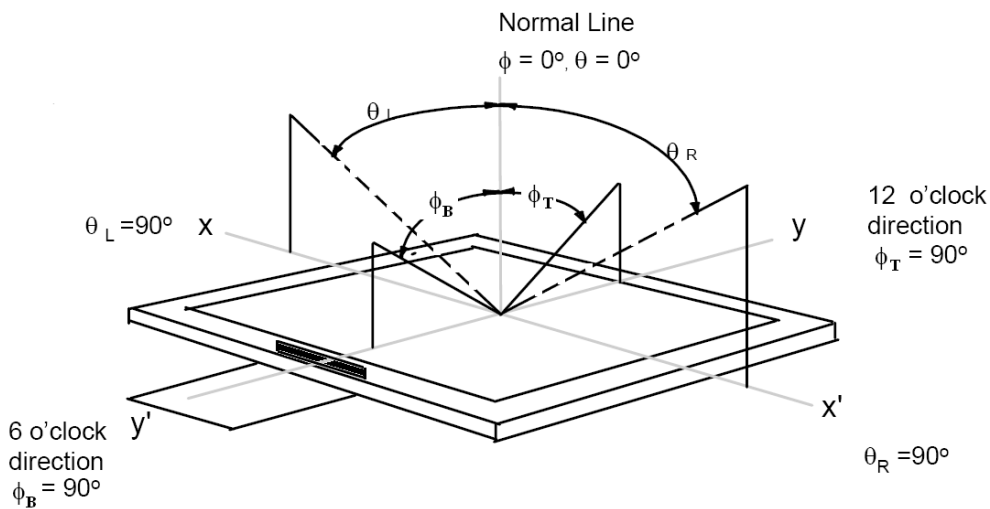
Bp (Max.) = Maximum brightness in 5 measured spots

Bp (Min.) = Minimum brightness in 5 measured spots.



**Note 3: The definition of Viewing Angle**

Refer to the graph below marked by  $\vartheta$  and  $\phi$

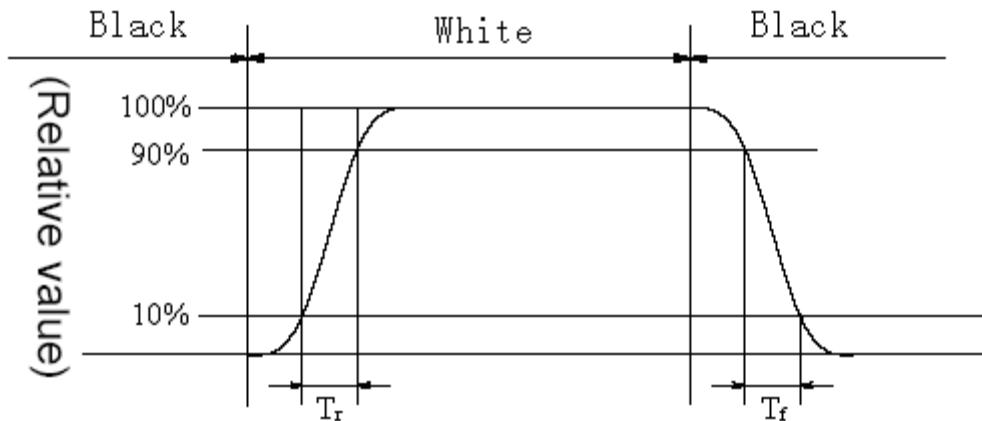


**Note 4: The definition of Contrast Ratio:**

$$\text{Contrast Ratio (CR)} = \frac{\text{Luminance When AMOLED is at "White" state}}{\text{Luminance When AMOLED is at "Black" state}}$$

**Note 5: Definition of Response time.**

The output signals of photo detector are measured when the input signals are changed from “black” to “white” (Voltage falling time) and from “white” to “black” (Voltage rising time), respectively. The response time is defined as the time interval between the 10% and 90% of amplitudes. Refer to figure as below.



**Note 6: Gamma curve**

The whole curve’s tolerance must control within +/-0.3, test the gray scale below:  
8, 16, 25, 33, 41, 49, 58, 66, 74, 82, 90, 99, 107, 115, 123, 132, 140, 148, 156, 165, 173, 181, 189, 197, 206, 214, 222, 230, 239, 247

**Note 7: Crosstalk**

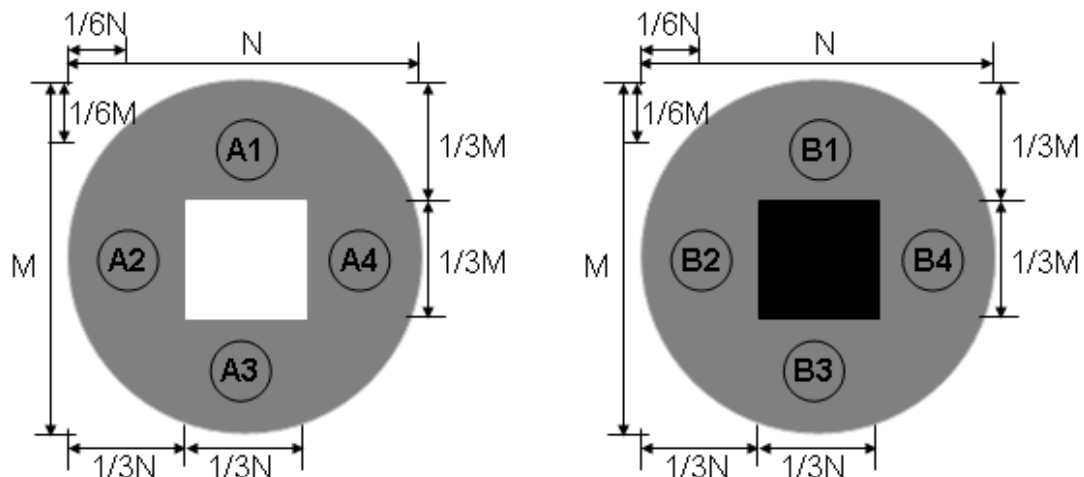
There should be no visible cross-talk in normal direction of the display when the two “Cross-talk Test Patterns” below are loaded.

$\Delta Bp$  (Max.) = Maximum value in  $\Delta Bp1 \sim \Delta Bp4$ .

$\Delta Bp$  (Min.) = Minimum value in  $\Delta Bp1 \sim \Delta Bp4$ .

$\Delta CT = \Delta Bp$  (Max.) /  $\Delta Bp$  (Min.).

$\Delta CT$  must be less than 1.10



**Cross-talk Test Pattern**



## 7 Reliability

### 7.1 Environmental Test

Item	Main spec	No. of failures / No. of examinations	Note
High Temperature Operation	70°C/ 128hours	0/5	
Low Temperature Operation	-20°C/ 128hours	0/5	
High Temperature Storage	80°C/ 128hours	0/5	
Low Temperature Storage	-30°C/ 128hours	0/5	
High Temperature Humidity Operation	60°C/90%RH 128hours	0/5	
Thermal Shock	-40°C~80°C 0.5hr, 30 cycles	0/5	

### 7.2 Electrical Test

Item	Main spec	Note
Air Discharge	±4kV , 150pF/330Ω (Module level)	5Points, Each 2times. No degradation of OLED performance after this test.
Contact Discharge	±4kV, 150pF/330Ω (Module level)	

### 7.3 Mechanical Test

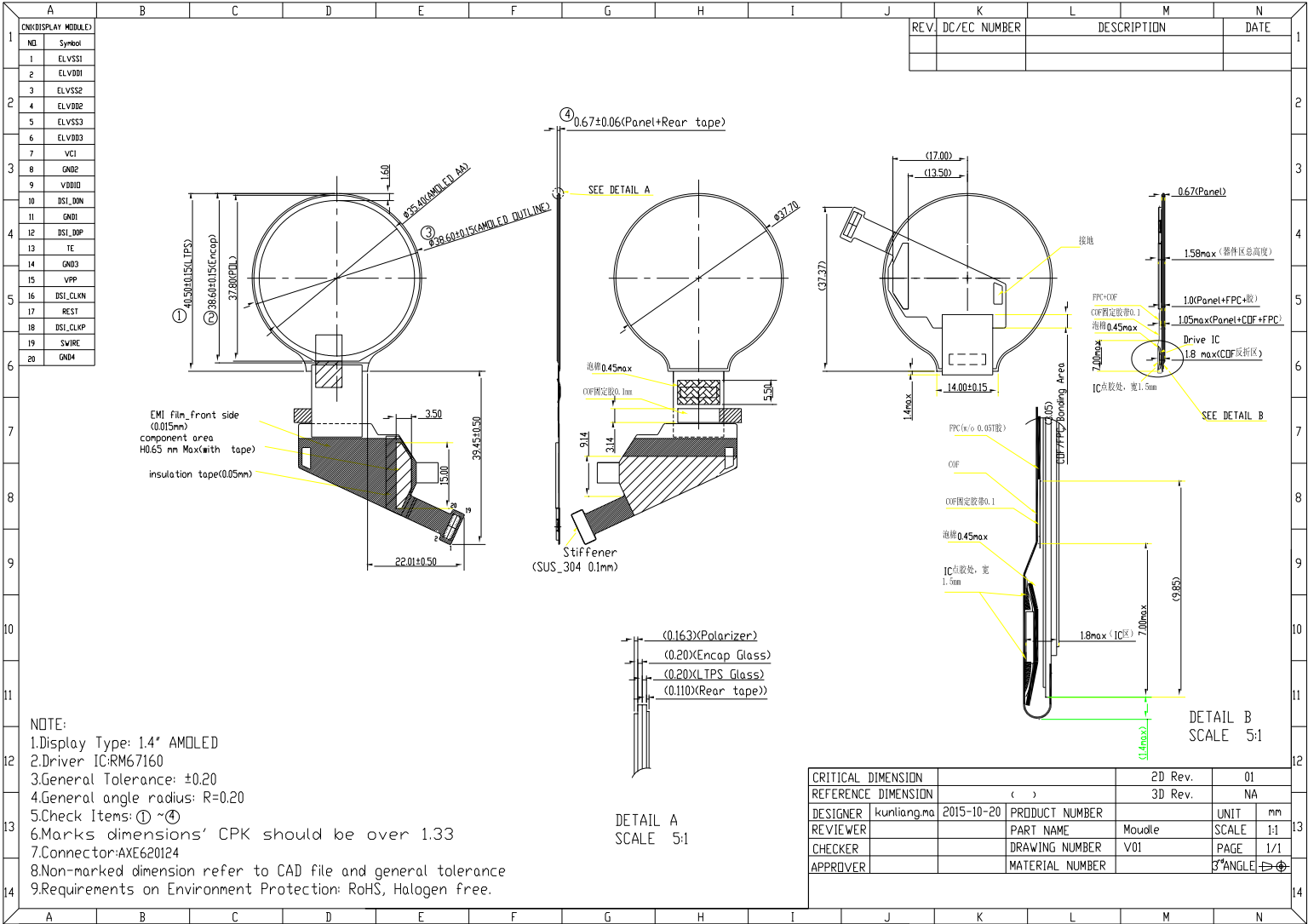
Item	Main spec	Note
Drop Test	Drop the packing from 75cm height, 3 times for 6-faces, 3-edges and 1-corner	Package
Vibration-proof test	2g, f=10->55->10Hz apply in each of X, Y, and Z direction for 30 min	Package

## 8 Handling Precautions

- 8.1 When cleaning ITO pad, avoid using hard and abrasive material or corrosive solution
- 8.2 Keep module away from direct sunlight or fluorescent light, and keep it at room temperature and humidity
- 8.3 Strong impact & pressure on module and packing is prohibited

- 8.4 Following normal power on/off sequence is necessary for preventing abnormal display or permanent damage to display
- 8.5 Optimal contrast ratio under ideal voltage is AMOLED module's characteristic, hence it is recommended a voltage control function available
- 8.6 Image sticking may occur if an image displays for an extended period of time
- 8.7 When interfered by system's overall mechanical design, an abnormal display may occur
- 8.8 After considering emitting energy, you should plan your design to satisfy EMI standards.
- 8.9 Host side should place a surge-prevent circuit at power trace (ie: VCI, Vddi) to protect AMOLED module.

# 9 Outline Dimension Drawing



## 10 Packing Specification

1、Packaging Material (Per Carton)						
NO	Item	Model (Material)	Dimensions (mm)	Unit Weight (g)	Quantity	Remark
1	Module		38.6*75.62	TBD	320	
2	Tray	PET(White)	455*290*14	TBD	22	
3	Vacuum bag	PE	440*660*0.28	TBD	2	
4	Desiccant	Desiccant	55*75	9g	4	
5	Carton	Corrugated paper	516*338*248	TBD	1	
6	Box	Corrugated paper	459*294*115	TBD	2	
7	EPE Spacer	EPE	368.71*223*1	TBD	40	上下都放EPE
8	EPE-T&B	EPE	457*292*10	TBD	4	
9	EPE-L-Beam	EPE	120*244*100	TBD	4	
10	PP Board	PP	457*292*5	TBD	2	
11	Inner Label	paper	52*100*0.075	TBD	2	
12	Carton Label	paper	52*100*0.1	TBD	1	
13	Total Weight			TBD Kg ±5%		
14	Crosswise paper corener	paper	50*50*900	TBD	4/30	
15	Lengthways paper corner	paper	50*50*1355	TBD	4/30	
16	Pallet	Wood	1100*1100	TBD	1/30	
2、Packaging specification and quantity (PCS) :						
(1)Module quantity per Tray:			quantity per row 4 X quantity per column 4=16			
(2)Module quantity in box:			quantity per tray 16 X quantity of trays 10=160			
(3)Module quantity in carton:			quantity per box 160 X quantity of boxes 2=320			
(4)Total Modules quantity in pallet:			quantity per Carton 320 X quantity of Cartons 30=9600			